



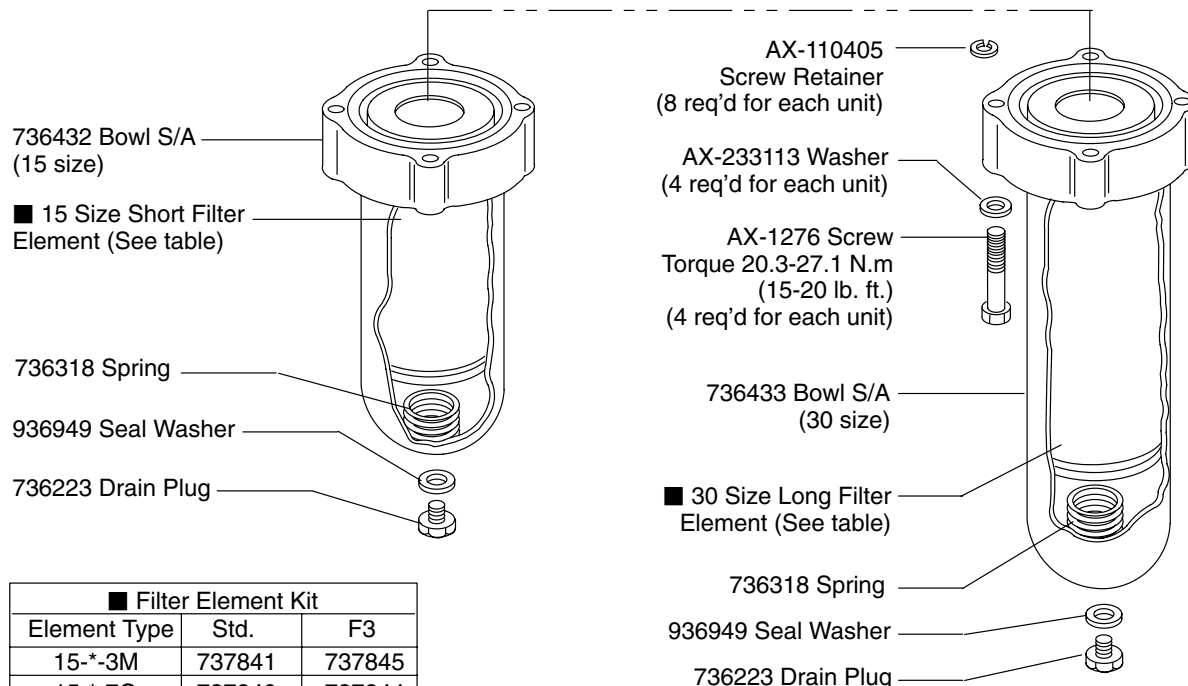
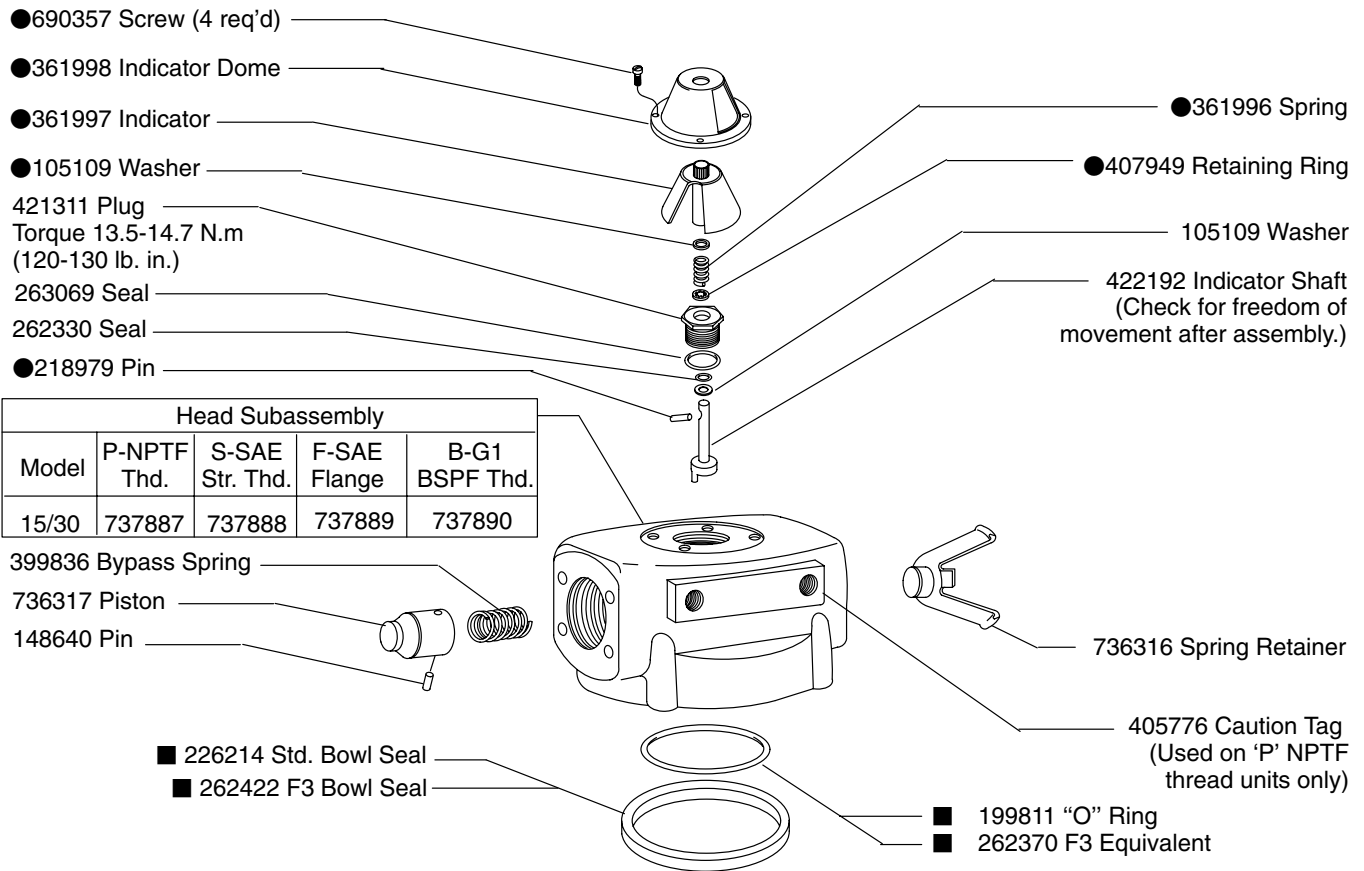
## Large Return Line Filter

(F3)-OFR-15-\*-(\*)-(\*)-30

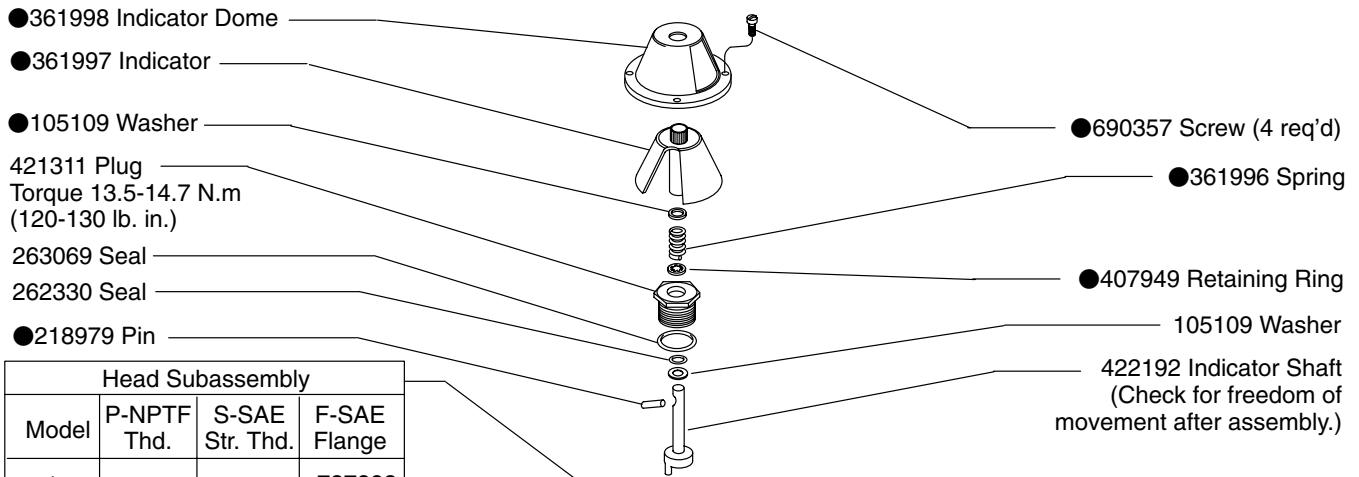
(F3)-OFR-60-\*-(\*)-(\*)-(\*)-30

(F3)-OFR-30-\*-(\*)-(\*)-30

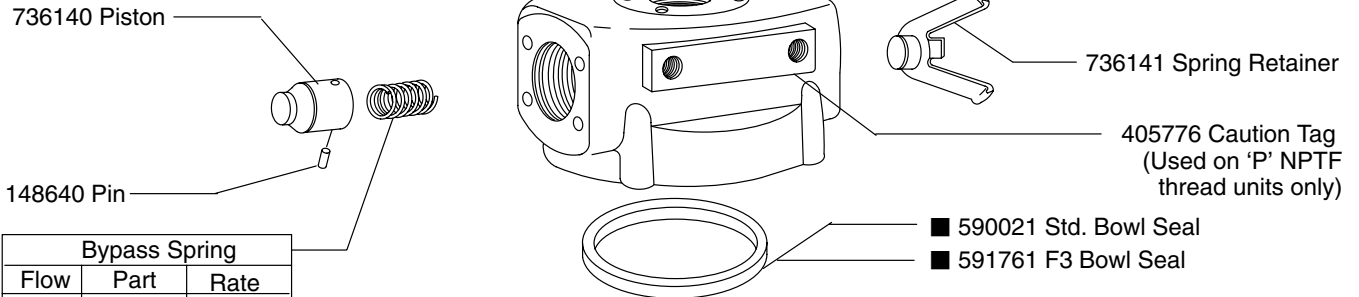
(F3)-OFR-120-\*-(\*)-(\*)-(\*)-30



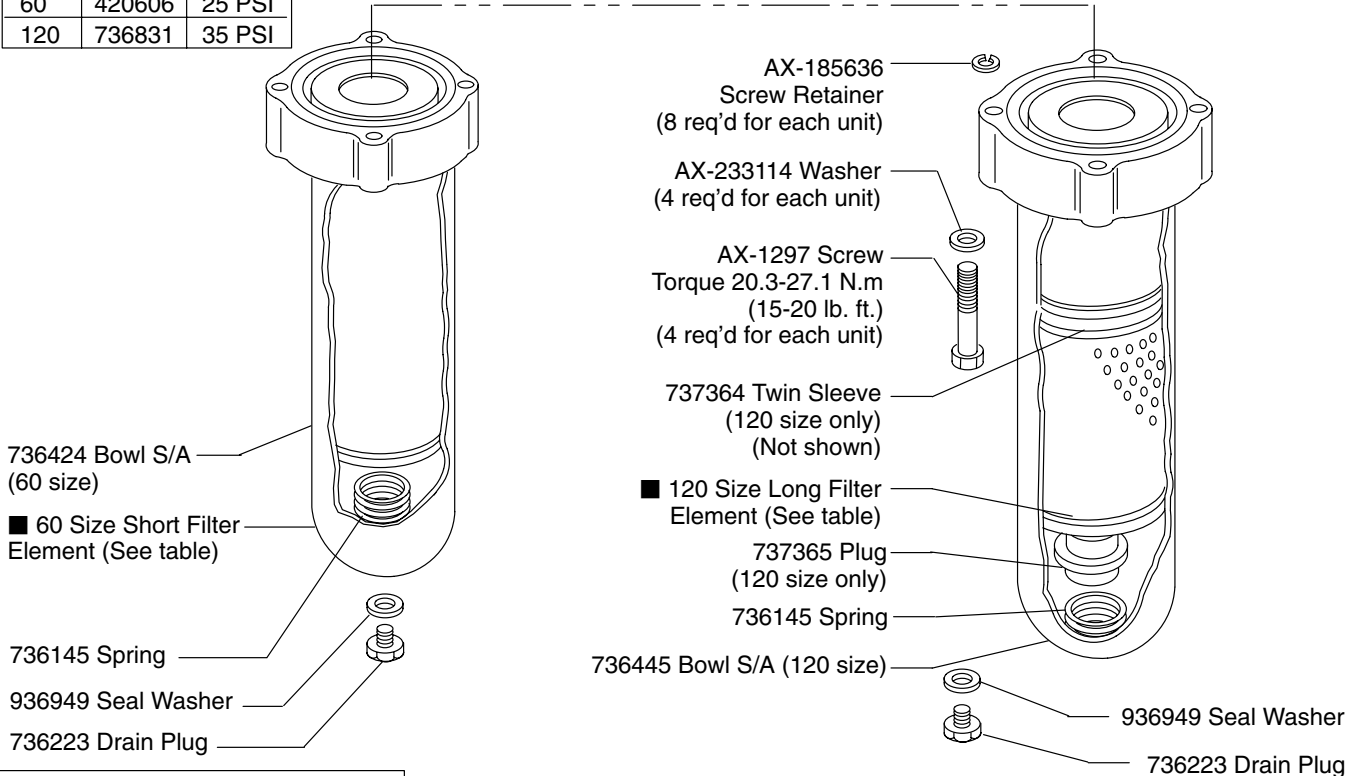
| ■ Filter Element Kit |        |        |
|----------------------|--------|--------|
| Element Type         | Std.   | F3     |
| 15-*-3M              | 737841 | 737845 |
| 15-*-7G              | 737840 | 737844 |
| 15-*-7M              | 737839 | 737843 |
| 15-*-10              | 737838 | 737842 |
| 30-*-3M              | 737849 | 737853 |
| 30-*-7G              | 737848 | 737852 |
| 30-*-7M              | 737847 | 737851 |
| 30-*-10              | 737846 | 737850 |



| Head Subassembly |             |                 |              |
|------------------|-------------|-----------------|--------------|
| Model            | P-NPTF Thd. | S-SAE Str. Thd. | F-SAE Flange |
| 60/120           | 737891      | 737892          | 737893       |



| Bypass Spring |        |        |
|---------------|--------|--------|
| Flow          | Part   | Rate   |
| 60            | 420606 | 25 PSI |
| 120           | 736831 | 35 PSI |



| ■ Filter Element Kit |        |        |
|----------------------|--------|--------|
| Element Type         | Std.   | F3     |
| 60-*-3M              | 737825 | 737829 |
| 60-*-7G              | 737824 | 737828 |
| 60-*-7M              | 737823 | 737827 |
| 60-*-10              | 737822 | 737826 |
| 60-*-3M              | 737833 | 737837 |
| 60-*-7G              | 737832 | 737836 |
| 60-*-7M              | 737831 | 737835 |
| 60-*-10              | 737830 | 737834 |

**Note**  
 -30 design units are not interchangeable with any previous designs.

**Note**  
 Units are manufactured with F3 seals, except the bowl seal, which is nitrile (standard).

■ Included in Element Kit

● Included in Mechanical Indicator Kit 941003. See back page for electrical indicator parts.

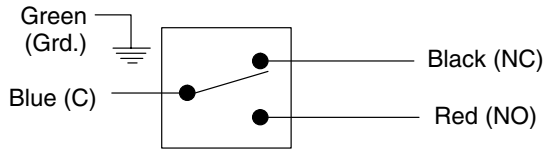
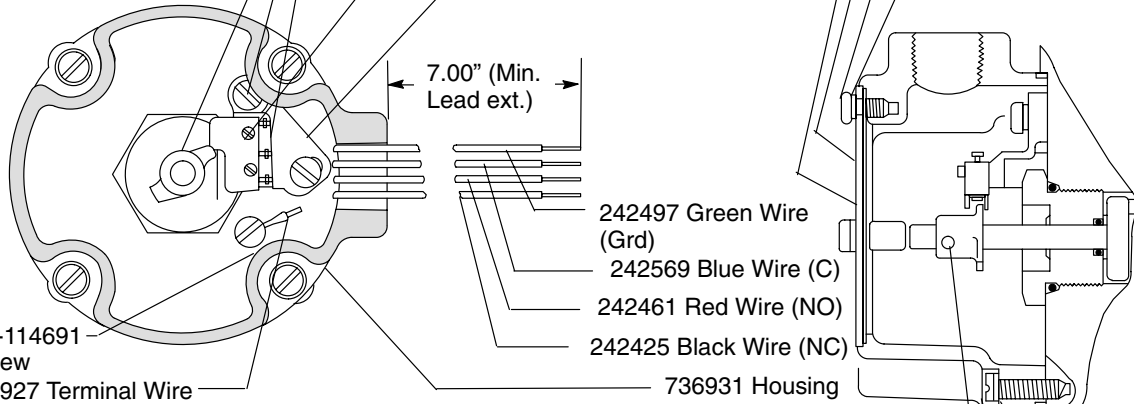
# Electrical Indicator Parts Kit 926586

416164 Limit Switch  
690356 Screw (2 req'd)  
736918 Actuator Switch

AX-114691 Screw  
345927 Terminal Wire

AX-231801 Screw (2 req'd)  
AX-99776 Washer (2 req'd)  
AX-1435 Nut (2 req'd)  
736919 Switch Bracket

736929 Gasket  
736930 Cover  
690357 Screw (4 req'd)  
AX-99780 Washer (4 req'd)



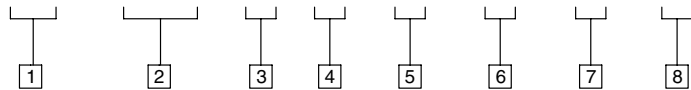
736708 Gasket  
AX-99780 Washer (4 req'd)  
287714 Screw (4 req'd)  
148640 Pin

### Note

Adjust switch position so switch contacts make and break with bypass valve piston movement between seated and .12 inch open.

## Model Code Breakdown

**(F3) - OFR - \* - \* - (\*) - (\*) - (\*) - 30**



### 1 Seal Material

**F3** - Seals for mineral oil and fire resistant fluids

### 2 Model Series

**OFR** - Return line oil filter

### 3 Flow Rating (USgpm)

**15 (Short)** - 15 USgpm  
**30 (Long)** - 30 USgpm  
**60 (Short)** - 60 USgpm  
**120 (Long)** - 120 USgpm

### 4 Port Connections

**B** - G1 (BSPF) thread (15 & 30 USgpm only)  
**F** - SAE flange  
**P** - NPTF thread  
**S** - SAE straight thread

### 5 Nominal Filtration Rating

**3M** - 3 micrometre  
**7G** - 7 micrometre (glass media)  
**7M** - 7 micrometre  
**Blank** - 10 micrometre

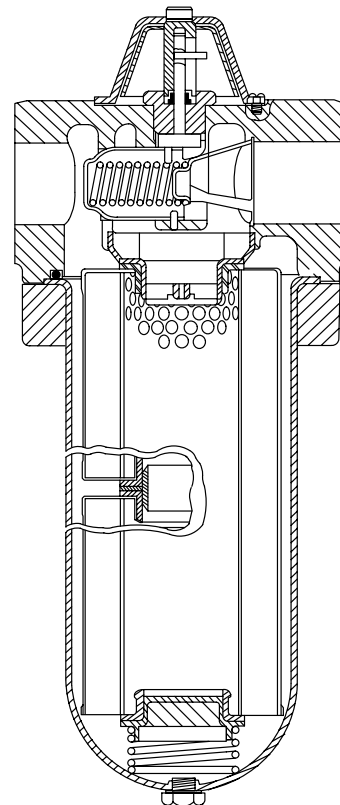
### 6 Indicator Type

**E** - Electrical indicator  
**Blank** - Mechanical indicator

### 7 Bypass Pressure Setting

**35** - 35 psi  
**Blank** - 25 psi

### 8 Design



**Sectional View  
(OFR-120 Shown)** Printed in U.S.A.