

Portable Test Equipment for K*G4V, KF and KH Series Proportional Valves and Associated Vickers Amplifiers

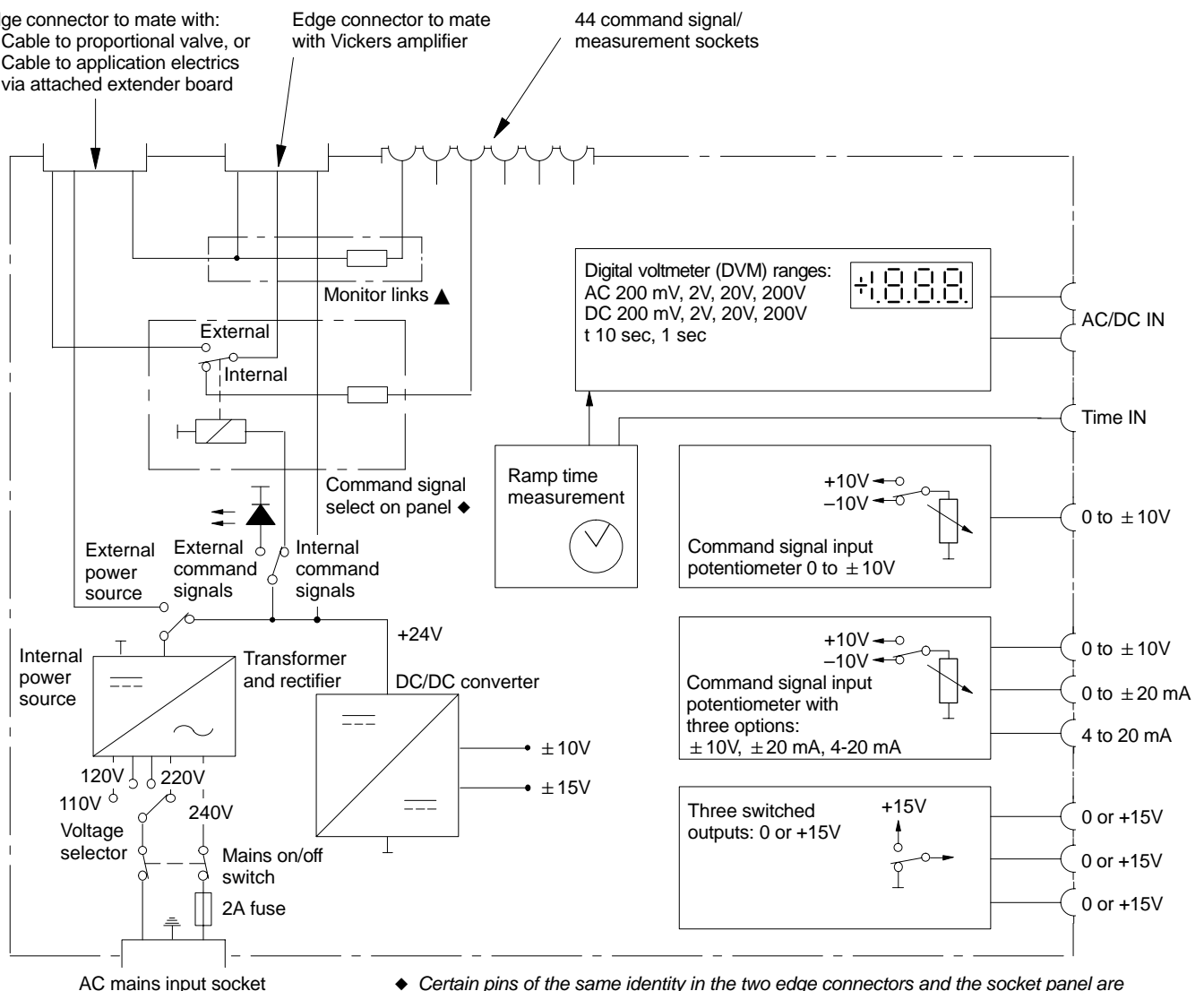
EHA-TEQ-700; 2* Series

Circuit and Connections

Edge connector to mate with:
 a. Cable to proportional valve, or
 b. Cable to application electrics
 via attached extender board

Edge connector to mate with Vickers amplifier

44 command signal/
 measurement sockets



AC mains input socket

◆ Certain pins of the same identity in the two edge connectors and the socket panel are linked internally as shown above. These pins are:

- z4, 6, 8, 10, 16, 24
- b4, 6, 8, 10, 12, 16, 18, 20, 24
- d2, 4, 6, 8, 10, 12, 14, 16, 18, 20, 22, 24, 26, 28

▲ Other pins of common identity but not listed above are connected as shown.



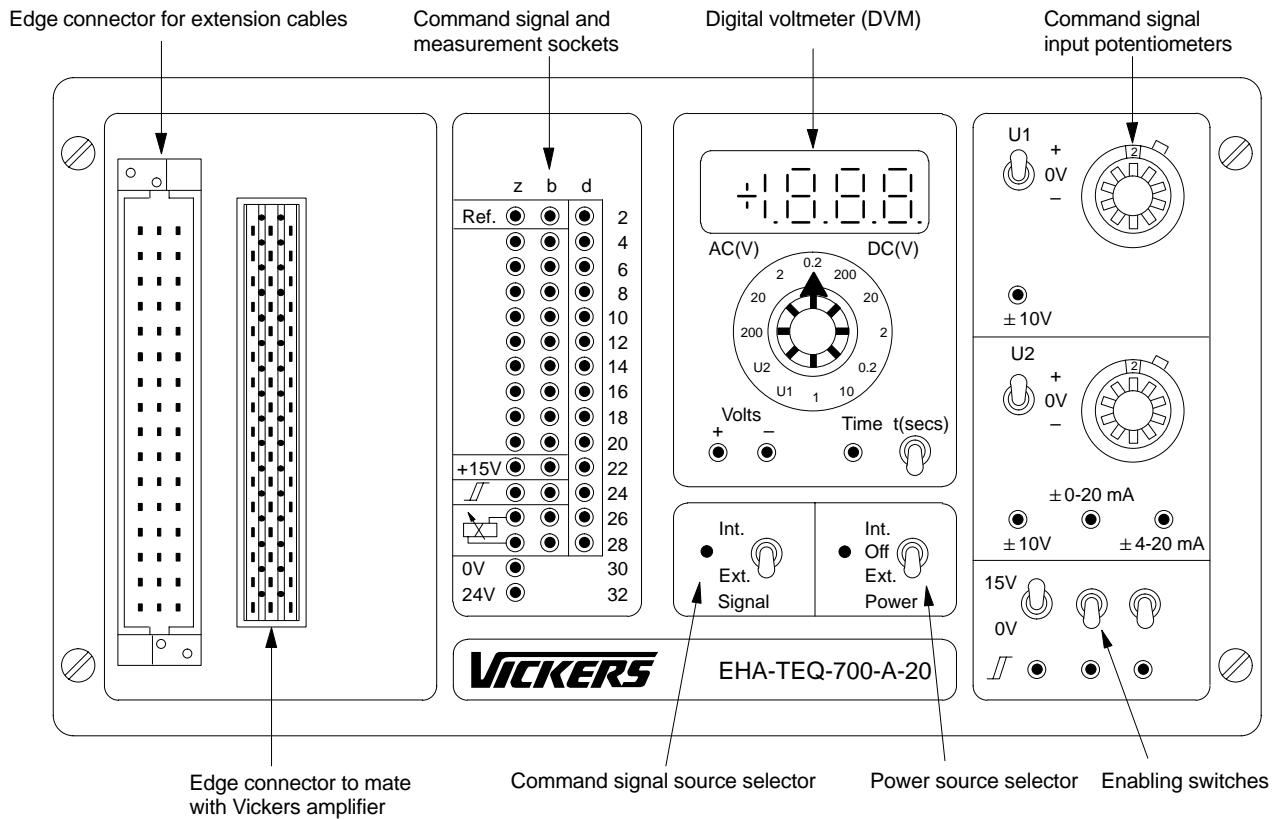
Warning: Electromagnetic Compatibility (EMC)

The European Community directives for electromagnetic compatibility (EMC) do not apply to this product.

Operating Data

Scope	An aid to commissioning specified Vickers proportional valves, amplifiers and their applications. Checks and measurements of their parameters can be made.
Features:	
Mains power supply	110/130/220/240V (+10 to –15%) AC 50/60 Hz (100 VA max.)
Power supply to amplifier under test	24V DC (40W max.) internally from AC/DC converter or externally from application electrics. Panel-mounted change-over switch.
Command signal source selector	Panel-mounted switch. Internal or application source; LED indication of latter.
AC or DC voltage measurements	Digital voltmeter (DVM), 3.5-digit display. Panel-mounted.
Ramp time/pulse measurement	Two-range timer offering selection of 0-1 or 0-10 sec ranges.
Voltage or current command signals	Two independent panel-mounted potentiometers with polarity selectors.
Command signal enabling	Three independent panel-mounted switches and output sockets.
Measurement and/or command signal input sockets	44 x Ø 2 (0.0787 dia.) sockets, access to DIN 41612 F48 edge connector pins.
Connector for Vickers amplifier	DIN 41612 F48 edge connector.
Connector to machine electrics or Vickers proportional valves	DIN 41612 F48 edge connector for flying leads.
Casing	Standard enclosure with carrying handle.
Control panel	See next page
Accessories supplied loose with EHA-TEQ-700	<ol style="list-style-type: none"> Mains lead. User to supply and fit mains plug. Connecting lead to proportional valve. Lead and extender board. For connecting application electrics to test equipment. 30 x Ø 2 (0.0787 dia.) plug leads for control panel connections. Operating manual.
Operating modes Note: All connections made with accessories supplied with the EHA-TEQ-700. Command input signals and monitor points are selected on the front panel with the jumper leads also supplied.	<ol style="list-style-type: none"> To monitor an application by connecting EHA-TEQ-700 to a DIN 41612 F48 edge connector on the application. To drive an installed proportional valve independently of the application electrics by connecting the EHA-TEQ-700 directly to the valve. To bench-test a Vickers amplifier and the spool movement of the associated proportional valve. A pilot pressure supply will be needed when testing a two-stage valve.
Installation dimensions	See next page
Mass	6,8 kg (15 lb) approx., including accessories.

Control Panel



Installation Dimensions in mm (inches)

3rd angle projection

