

# Amplifier Cards



## EBA-TEQ-706-A-10 Eurocard Test Adaptor

### General Description

This low cost test equipment is designed for easy connection to a standard Vickers Eurocard-format, EEA-PAM-5\*\* series amplifier, to facilitate voltage and current measurements during set-up or fault diagnosis. The Vickers EEA-PAM-5\*\* series amplifiers have a common edge connector pin arrangement which allows the test equipment to be used for all amplifiers in the series.

The amplifier to be tested is first removed from the control panel or cardholder and the EBA-TEQ-706-A-10 installed in its place. Testing can be started when the amplifier is plugged in to the free end of the test equipment, where it is held by latches.

The -TEQ- panel contains a control potentiometer, switches to select varying circuitry options, and a number of sockets. Four pairs of these sockets are fitted with jumpers which can be removed for current measuring via external meters.

Switchable options are:

- Drive enable/disable
- Ramp enable/disable (only with 30 design amplifiers)
- Internal/external input
- 1:10 command signal attenuation

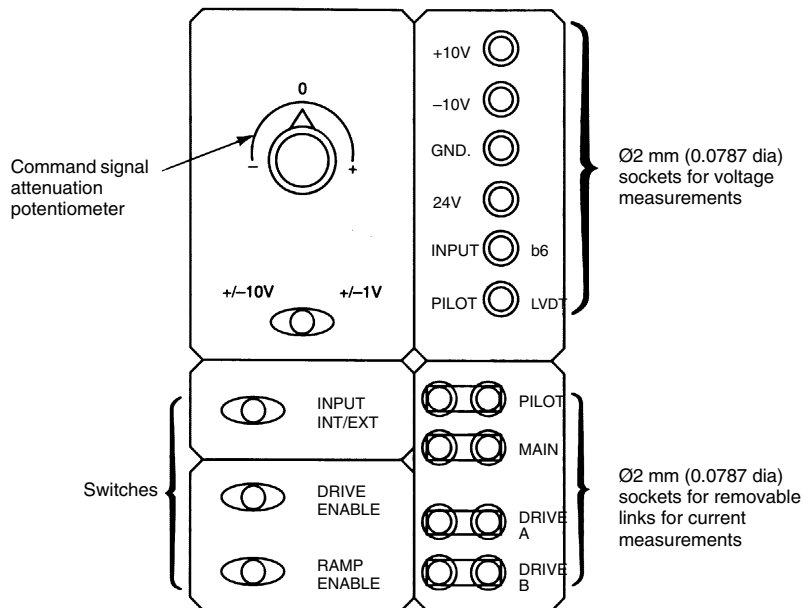
The following parameters can be measured using a separate meter plugged into sockets:

- Supply voltage
- ± 10V reference voltage
- Command signal
- Current to drive A
- Current to drive B
- Mainstage LVDT output current
- Pilot-stage LVDT output current
- Pilot-stage LVDT voltage

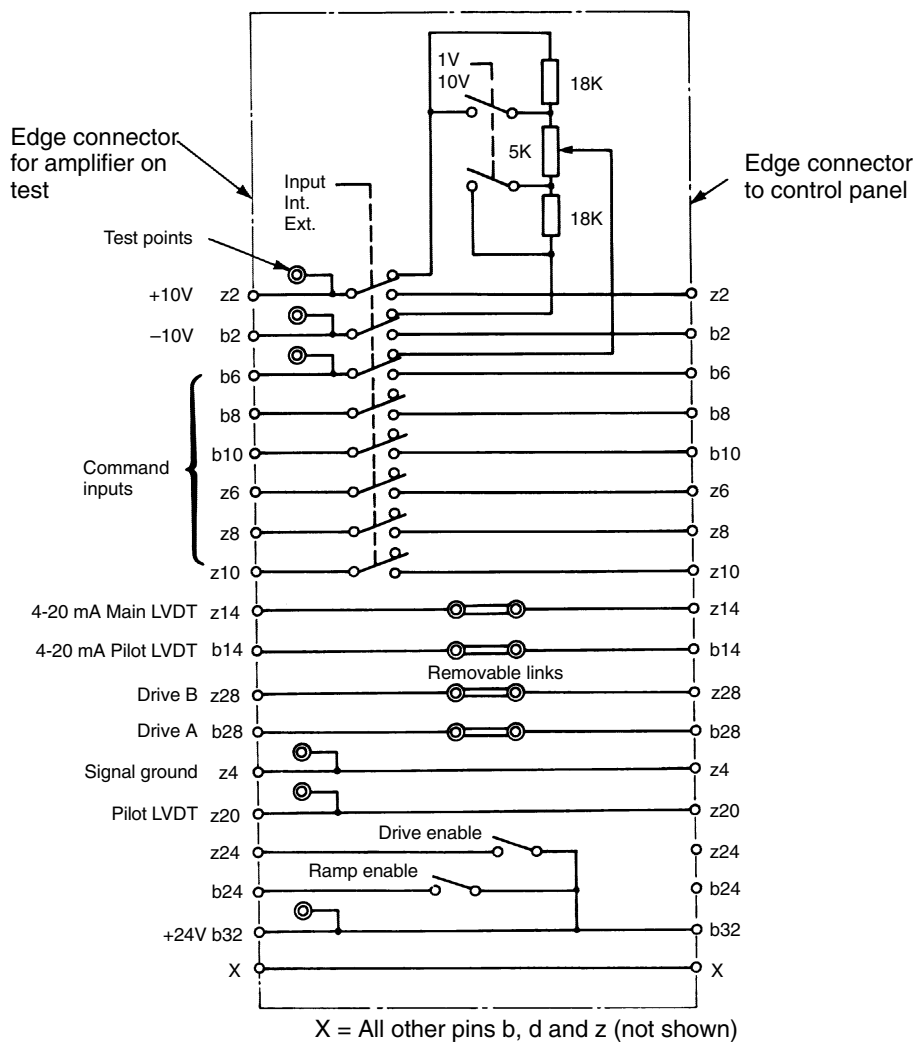
### Input Int./Ext.

With "EXT" selected the amplifier (and hence the valve and actuator) are controlled from the user's control system. With "INT" selected the control signal is derived from the potentiometer on the test equipment.

### Panel Arrangement



# Circuit Diagram



# Installation Dimensions in mm (inches)

