

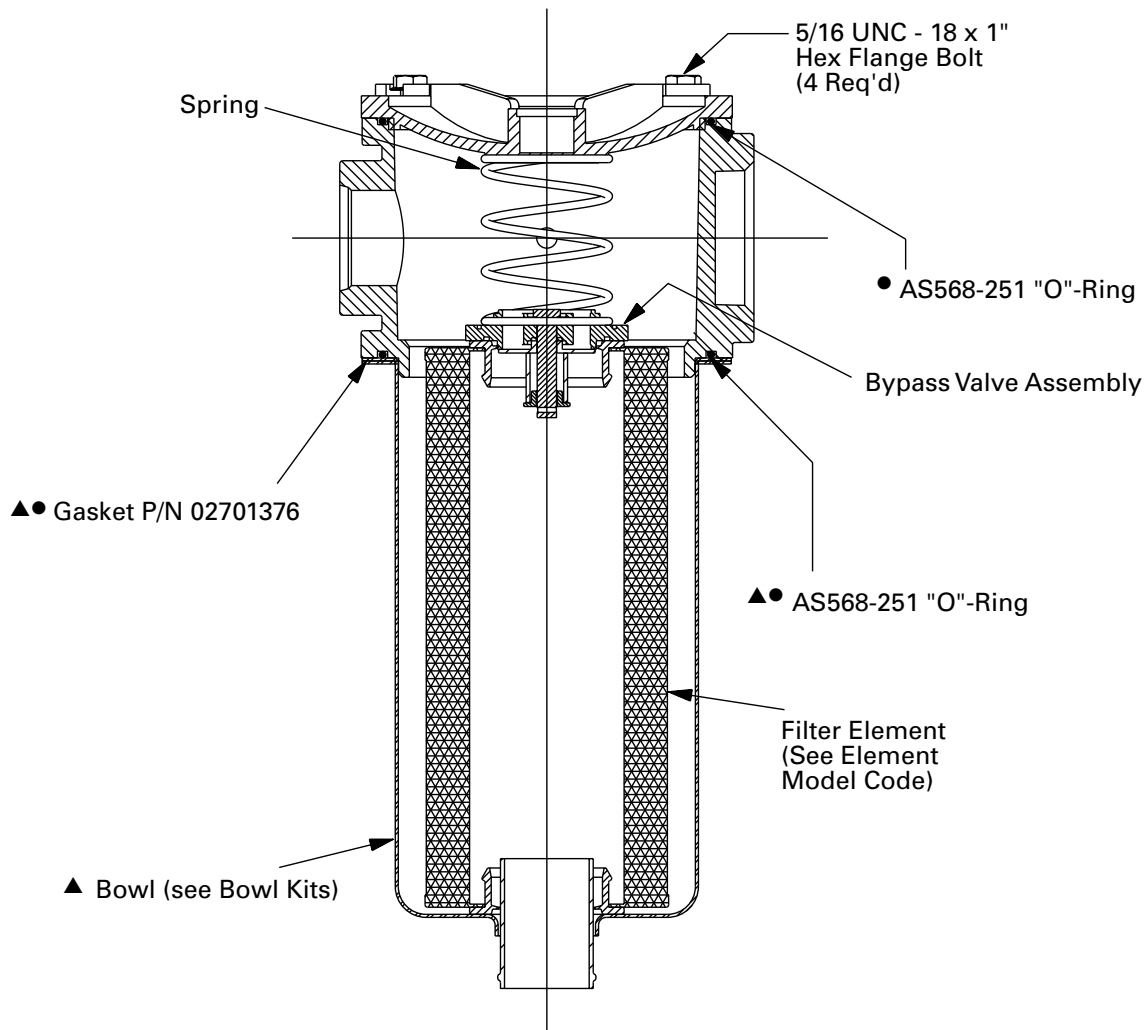


Vickers

HF4RT Series High Performance Low Pressure Filter

Flows to 568 L/min (150 USgpm) 13,8 bar (200 psi)

Service Data



● Included in Seal Kits

SEAL KIT PRODUCT NUMBERS

3039692 Buna

3039693 Viton*

* Viton is a registered trademark
of E.I. DuPont

▲ Included in Bowl Kits

BOWL KIT PRODUCT NUMBERS

3039667 Buna 9"

3039679 Viton 9"

3039668 Buna 18"

3039680 Viton 18"

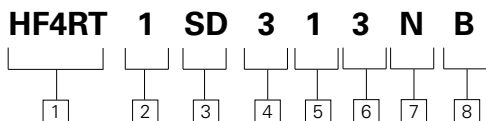
3039669 Buna 27"

3039681 Viton 27"



Model Code

Housing Assembly



1 Filter Series - New

HF4RT

2 Element Collapse Rating

1 - 150 PSI Low Collapse

3 Port options

BC - G1¹/₄ to ISO 228

ME - 1¹/₂" - SAE 4 bolt Flange Code 61 (M12 x 1.75)

SD - 1.875 - 12 UN SAE-24 str. Thd. (1¹/₂" tube)

FE - 1¹/₂" - SAE 4 bolt Flange Code 61 (UNC)

4 Valve options

3 - Bypass set at 25 PSI cracking pressure

4 - Bypass set at 43 PSI cracking pressure

5 Indicator options

1 - No indicator

2 - 0-10 Bar pressure gauge

4 - 0 to 60 PSI pressure gauge, color coded

6 - Electrical switch, 15 PSI Brad Harrison connector

7 - Electrical switch, 30 PSI Brad Harrison connector

8 - Electrical switch, 15 PSI Hirshman connector

9 - Electrical switch, 30 PSI Hirshman connector

6 Element length

mm (in)

3 - 229 (9) 378 (14.9)

6 - 457 (18) 584 (23)

7 - 686 (27) 787 (31)

9 - 229 (9) 12" Ext. tube

7 Secondary Port

BC - G1¹/₄ to ISO 228

- use with BC Inlet Port

SD - 1.875 - 12 UN

SAE-24 str. Thd.

(1¹/₂" tube) - use with

SD Inlet Port

SZ - 2.50 - 12 UN SAE-32 str.

Thd. (2" tube)

- use with FE Inlet Port

N - No Secondary Port

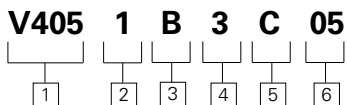
Note: No secondary port is available with the ME inlet port option.

8 Seal material

B - Buna-N

V - Viton-A

Element



1 Filter element

V405 - For use with HF4RT series filters

2 Element collapse rating

1 - 10 bar (150 PSID)

3 Seal material

B - Buna-N

V - Viton-A

4 Element length

mm (in)

3 - 229 (9)

6 - 457,2 (18)

7 - 685,8 (27)

5 Element construction

C - C-Pak (grade 3, 5, 10, 20)

6 Fluid cleanliness ratings

Code Target fluid cleanliness level

03 16/14/12 or better

05 18/16/14 or better

10 20/18/15 or better

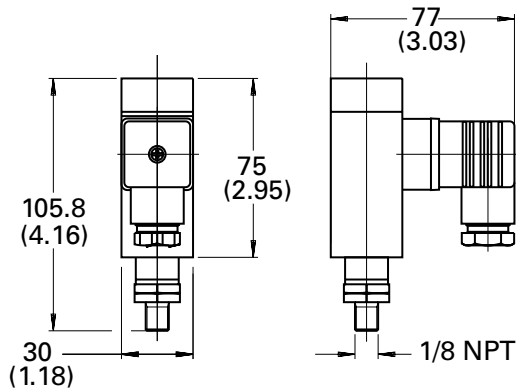
20 22/19/16 or better

The table assumes limited ingress/single pass of pump flow through element. For detailed assistance, see "The Vickers Guide to Systemic Contamination Control" or contact your local Eaton representative.

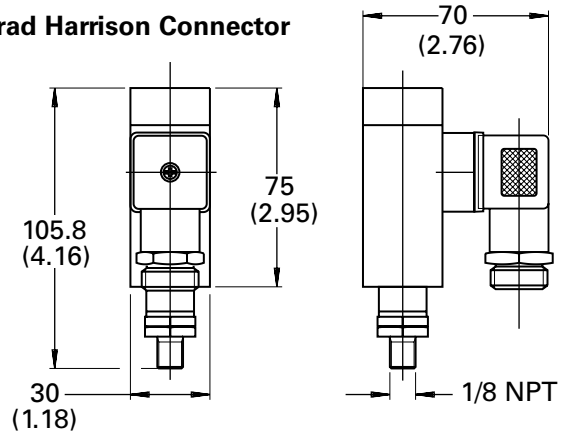
Accessories

Electrical Pressure Switch

Hirshman Connector



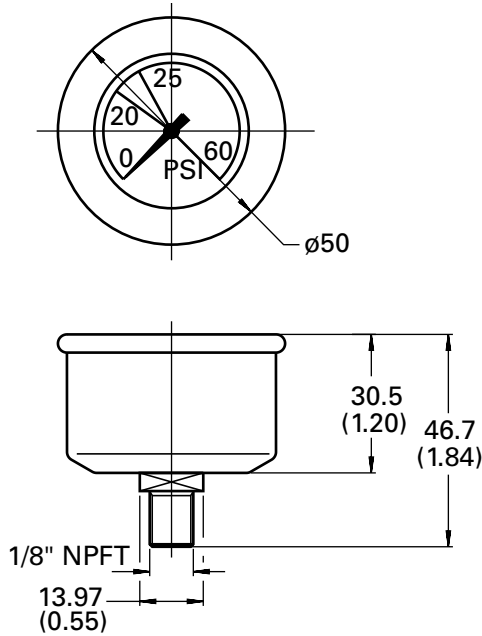
Brad Harrison Connector



Housing	Part Number
HF4RT	3039705 Electrical Switch 15 PSI Brad Harrison Connector 3039707 Electrical Switch 15 PSI Hirshman Connector
HF4RT	3039706 Electrical Switch 30 PSI Brad Harrison Connector 3039708 Electrical Switch 30 PSI Hirshman Connector

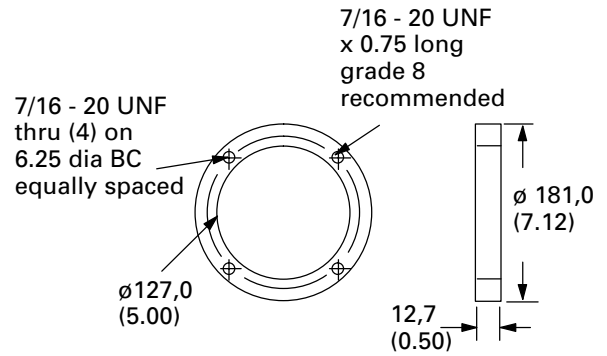
Gauge

0-4 Bar (0-60 PSI) Gauge



Weld Flange

For use with HF4RT
P-232964-01



Note: Gauges indicate pressure in both bar and PSI

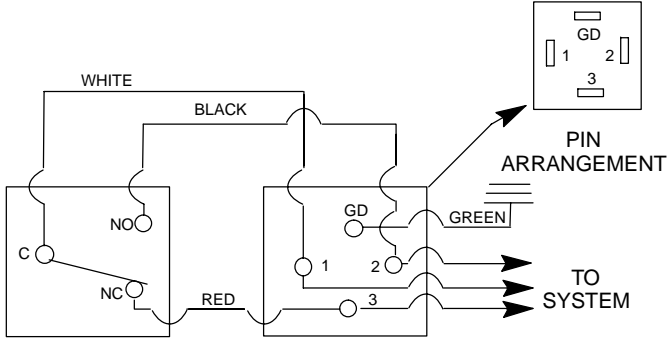
Housing	Part Number
HF4RT	3039703 Gauge 0-160 PSI (use with 43 PSI Bypass Valve) 3039704 Gauge 0-60 PSI (use with 25 PSI Bypass Valve)

Schematic Wiring Diagram

Indicator Switch

Note

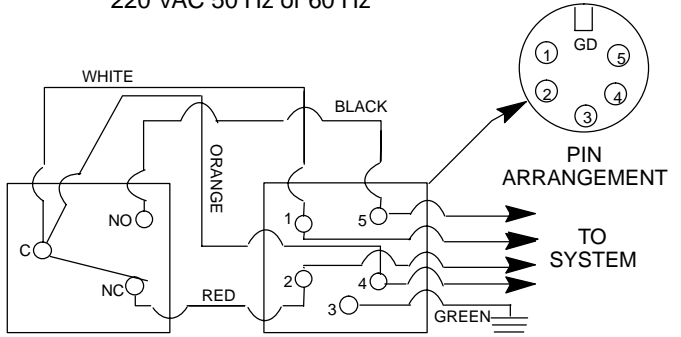
When fitting indicator, torque to 41-47 Nm.



Hirschmann (DIN 43650 Type AM) Receptacle

Electrical

Switch: SPDT
 Rating: 7 amps, resistive
 4 amps, inductive
 2 amps, lamp load
 @28 VDC, 115 VAC 60 Hz &
 220 VAC 50 Hz or 60 Hz



Brad Harrison (41512) Receptacle

Eaton
 14615 Lone Oak Road
 Eden Prairie, MN 55344
 USA
 Tel: 952 937-9800
 Fax: 952 974-7722
 www.hydraulics.eaton.com

Eaton
 20 Rosamond Road
 Footscray
 Victoria 3011
 Australia
 Tel: (61) 3 9319 8222
 Fax: (61) 3 9318 5714

Eaton
 46 New Lane, Havant
 Hampshire PO9 2NB
 England
 Tel: (44) 23 92 486 451
 Fax: (44) 23 92 487 110

