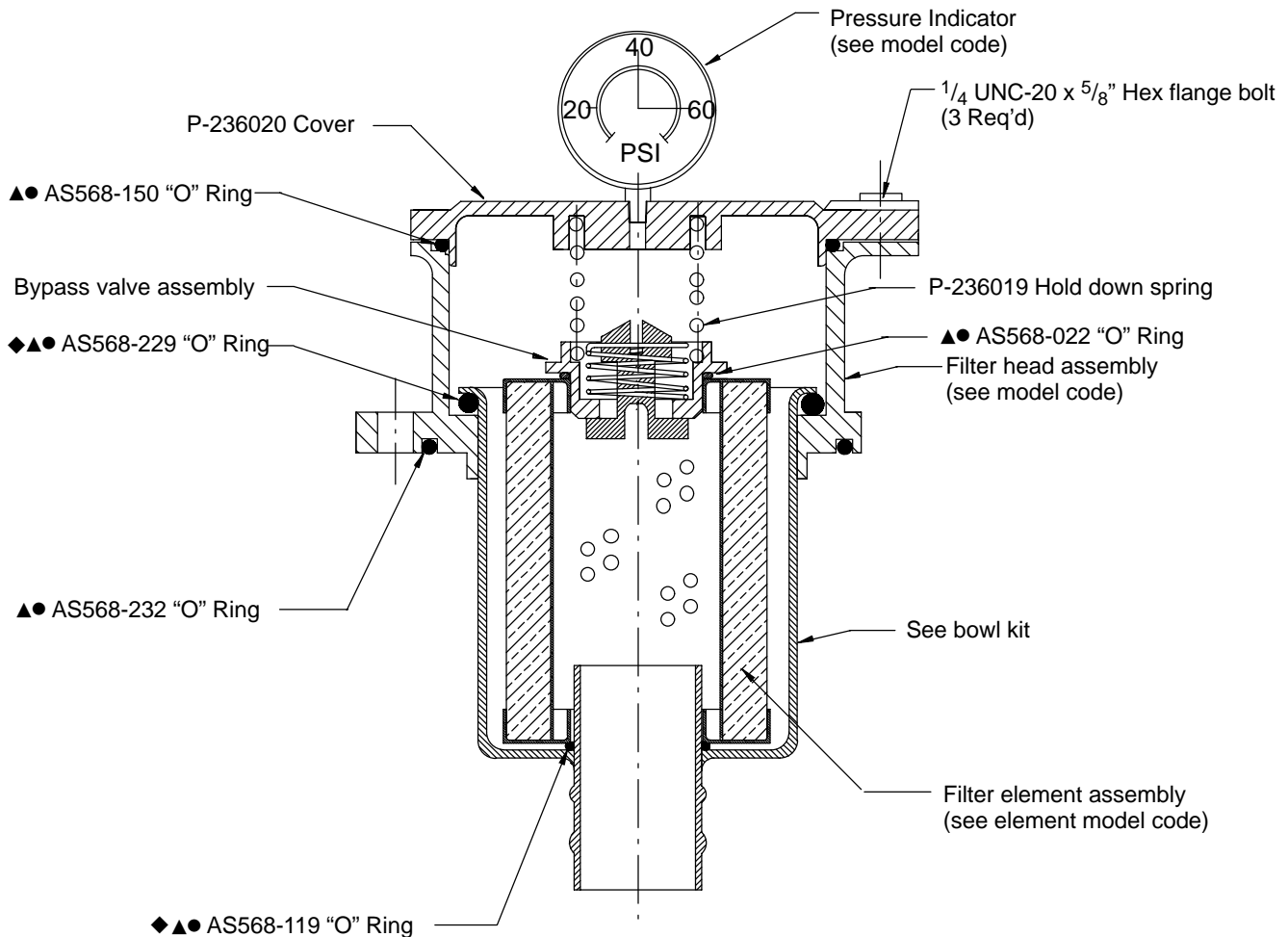


Service Data

High Performance/Low Pressure Filter Flows to 38 L/min 7 bar MT10 Series



Bowl	Bowl length mm (in)	Element code length mm (in)
P-235920	60,7	70,0

NOTE: Bowl kit contains Buna-N seals, to order Viton seals, replace **B** in partnumber with a **V**.

Example:

From: P-235920-01**B**, for Buna.

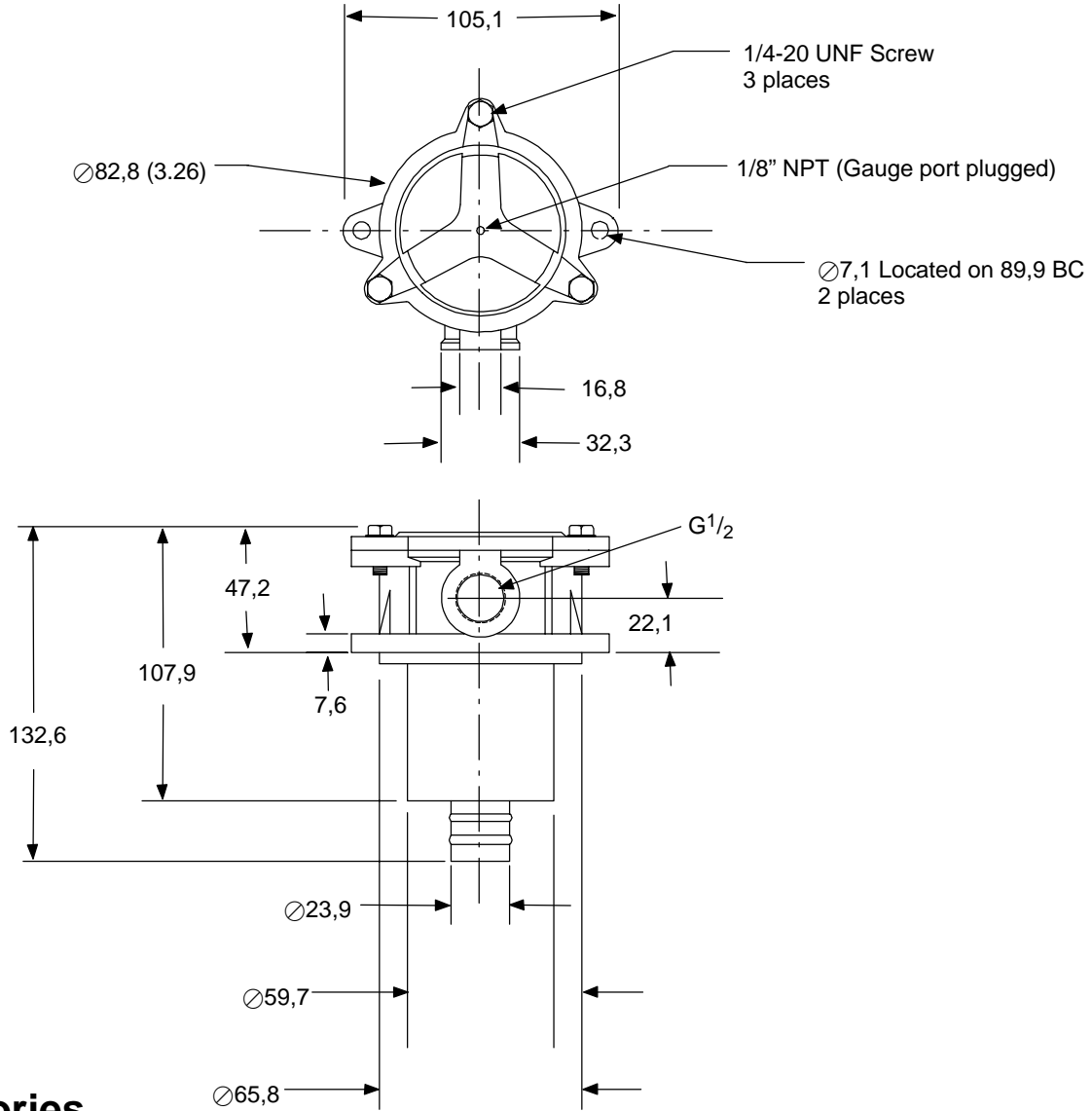
To: P-235920-01**V**, for Viton.

- ▲ Included in seal kit P-235876-01 Buna
- Included in seal kit P-235876-03 Viton
- ◆ Included in Bowl kit P-235920

Bowl kits contain (Bowl, "O" Ring)

MT10 Housing Dimensions

mm

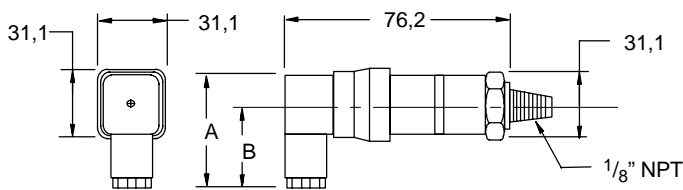


Accessories

Electrical Switch

Switch 1,2 bar Brad Harrison
Switch 1,2 bar DIN

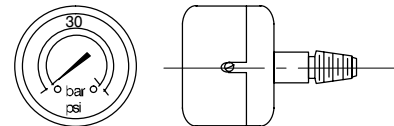
P-234117-01
P-233051-01



Connector	A	B
DIN 43650	48,2	34,9
Brad Harrison	59,2	45,7

Gauge

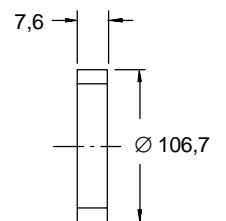
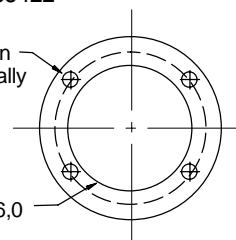
MT10 P-232965-01 0-4,1 bar color coded



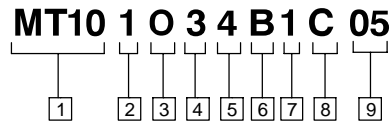
Weld Flange

MT10 P-235422

M6 x 1 thru (4) on 88,9 dia BC equally spaced



Head Sub-assembly Model Code



1 Filter series

MT10

2 Element collapse rating

1 – 10 bar

3 Port option

O – G 1/2 to ISO 228

4 Valve bypass setting option

3 – Bypass set at 1.72 ± 0.21 bar cracking pressure.

5 Indicator type

- 1** – No indicator, pipe plug installed
- 4** – 0 to 4,14 bar pressure gage, color coded
- 6** – Electrical switch 1,24 bar Brad Harrison
- 8** – Electrical switch 1,24 bar DIN 43650

6 Seal material

- B** – Buna–N
- V** – Viton–A

7 Bowl length mm (in)

1 – 60,7

Element code length mm (in)

70,0

8 Element construction

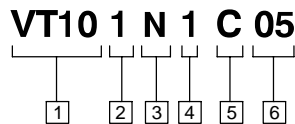
C – C–pak (3,5,10 & 20 grade)

9 Fluid cleanliness ratings

Code	Fluid cleanliness level	Element construction
03	16/14/12 or better	C–pak
05	18/16/14 or better	C–pak
10	20/18/15 or better	C–pak
20	22/19/16 or better	C–pak

The table above assumes limited ingress and a single pass of pump flow through the element. For more detailed information, please consult Vickers Guide to Systemic Contamination Control or contact your local Vickers Distributor.

Element Model Code



1 Filter element

VT10 – For use with MT10 series filters

2 Element collapse rating

1 – 10 bar

3 Seal material

N – Element does not contain seals

5 Element construction

C – C–pak (3,5,10 & 20 grade)

6 Fluid cleanliness ratings

Code	Target fluid cleanliness level
03	16/14/12 or better
05	18/16/14 or better
10	20/18/15 or better
20	22/19/16 or better

4 Bowl length mm (in)

1 – 60,7

Element code length mm (in)

70,0

The table above assumes limited ingress and a single pass of pump flow through the element. For more detailed information, please consult Vickers Guide to Systemic Contamination Control or contact your local Vickers Distributor.

Element Dimensions mm (in.)

