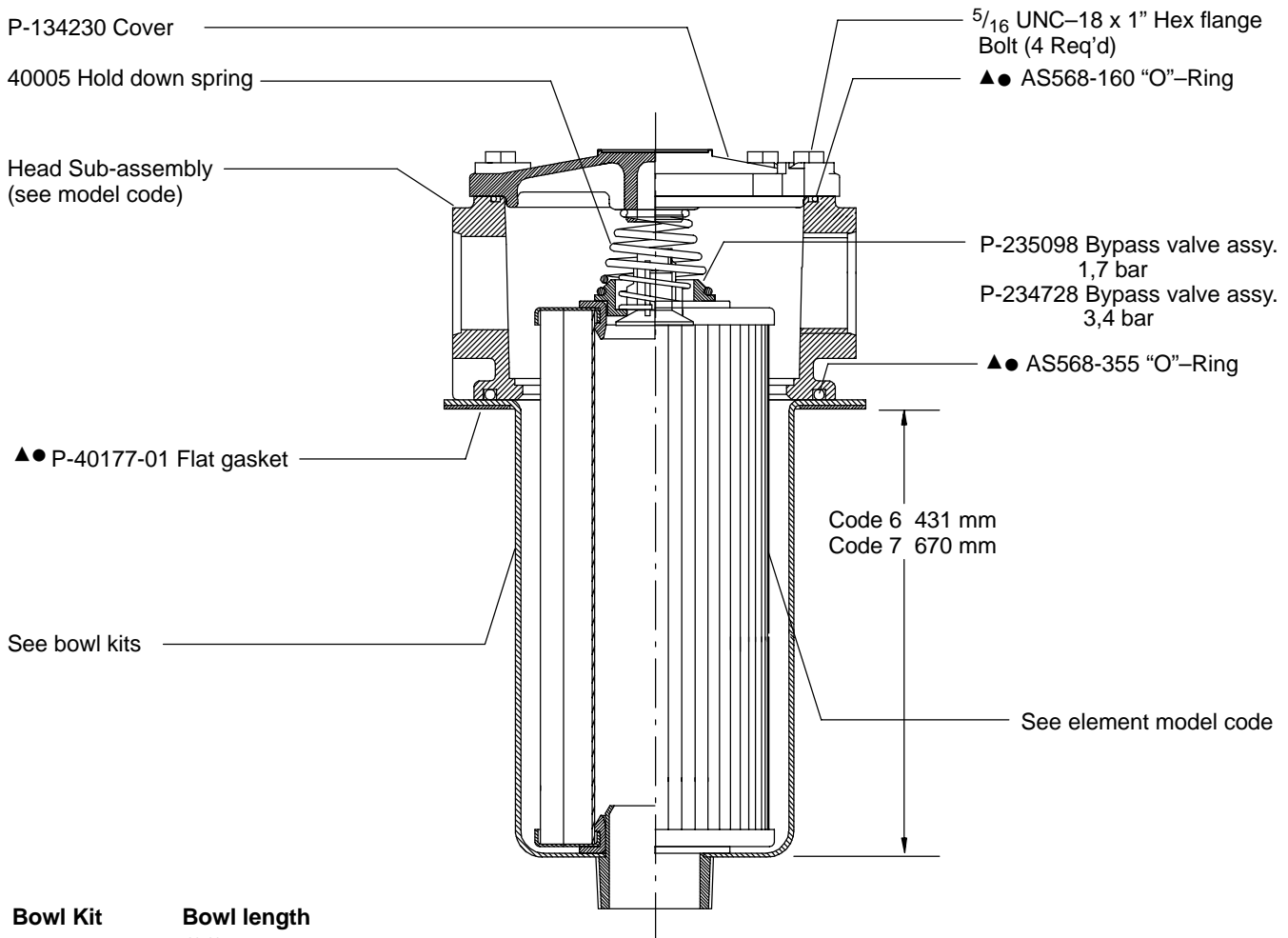


Service Data

ML16 Series High Performance Low Pressure Filter

Flows to 568 L/min 13,8 bar



Bowl Kit	Bowl length mm
P-134229-06	431
P-134229-07	670

NOTE: Bowl kits contain Buna-N seals, to order Viton seals, replace **B** in part number with a **V**.

Example:

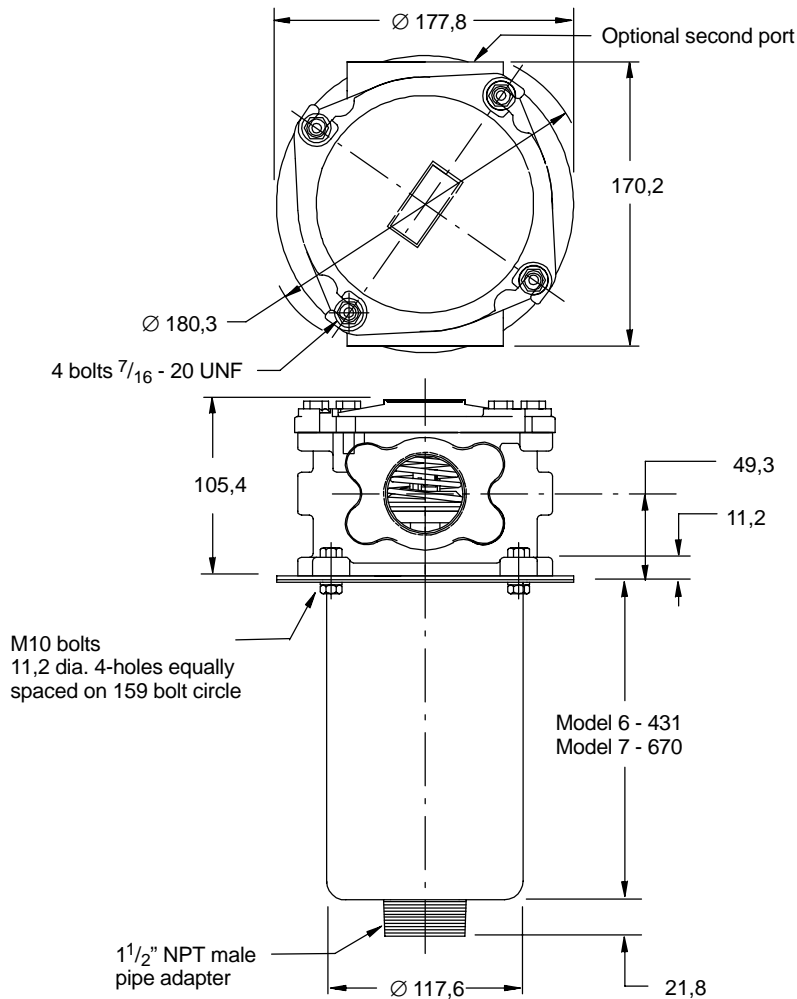
From: P-134229-06**B**, for Buna.

To: P-134229-06**V**, for Viton.

▲ Included in seal kit P-233055-01 Buna
● Included in seal kit P-233055-03 Viton
Cylinder kits contain (Bowl, "O" Ring, & Ring holder).

ML16 Housing Dimensions

mm



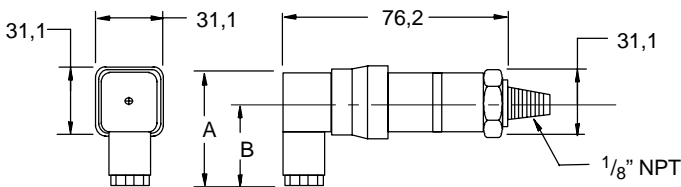
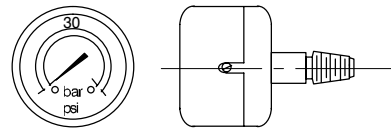
Accessories

Electrical Switch

- | | |
|------------------------------|-------------|
| Brad Harrison 1,2 bar switch | P-234117-01 |
| Brad Harrison 2,4 bar switch | P-234118-01 |
| Switch 1,2 bar DIN | P-233051-01 |
| Switch 2,4 bar DIN | P-233573-01 |

Gauge

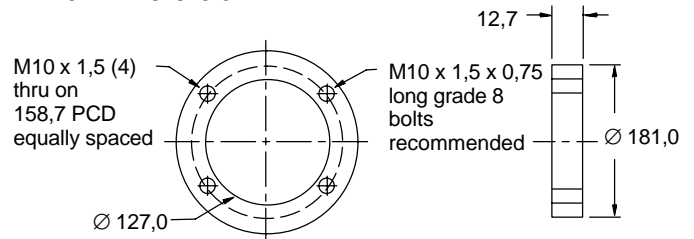
- | | |
|------------------|---------------------|
| ML16 P-232965-01 | 0-4 bar color coded |
| P-232974-01 | 0-14 bar |



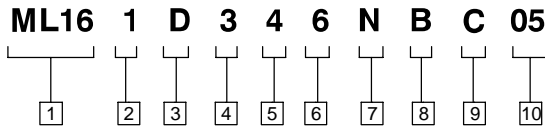
Connector	A	B
DIN 43650	48,2	34,9
Brad Harrison	59,2	45,7

Weld Flange

- | | |
|------|-------------|
| ML16 | P-234379-01 |
|------|-------------|



Housing Model Code



1 Filter series

ML16

2 Element collapse rating

1 - 10 bar

3 Port options

- C** - G 1 1/4" to ISO 228
- E** - 1 1/2" SAE 4-bolt split flange Code 61

4 Valve bypass setting

- 3** - Bypass set at 1,75 ± 0,21 bar cracking pressure
- 4** - Bypass set at 3,5 ± 0,35 bar cracking pressure

Indicator Selection Guide

Bypass	Indicator
3	1, 4, 6, 8
4	1, 2, 7, 9

5 Indicator type

- 1** - No indicator
- 2** - 0 to 14 bar pressure gauge
- 4** - 0 to 4 bar pressure gauge, color coded
- 6** - Electrical switch, 1,25 bar - Brad Harrison
- 7** - Electrical switch, 2,4 bar - Brad Harrison
- 8** - Electrical switch, 1,25 bar - DIN 43650
- 9** - Electrical switch, 2,4 bar - DIN 43650

6	Assy. length mm	Element length mm
6	431,8	457
7	670,1	685

7 Secondary port option

- C** - G 1 1/4" to ISO 228
- Z** - 1 1/2" SAE 4-bolt split flange Code 61
- N** - No secondary port

8 Seal material

- B** - Buna-N
- V** - Viton-A

Viton is a registered trademark of E.I. DuPont

9 Element construction

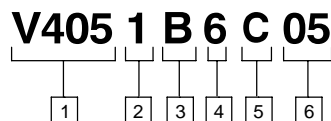
- C** - C-Pak (grade 01, 3, 5, 10, 20)
- E** - E-Pak (grade 3, 5, 10)

10 Fluid cleanliness ratings

Code	Target fluid cleanliness level
01	Flushing only
03	16/14/12 or better
05	18/16/14 or better
10	20/18/15 or better
20	22/19/16 or better

This table assumes limited ingress/single pass of pump flow through the element. For detailed assistance, consult Vickers Guide to Systemic Contamination Control or contact your local Vickers Distributor.

Element Model Code



1 Filter element

V405 - For use with ML15, ML16 & M451 series filters

2 Element collapse rating

1 - 10 bar

3 Seal material

- B** - Buna-N
- V** - Viton-A

Viton is a registered trademark of E.I. DuPont

4	Bowl length mm	Element code length mm
6	431,8	457
7	670,1	685

5 Element construction

- C** - C-pak (grade 01, 03, 05, 10, 20)
- E** - E-pak (grade 3, 5, 10)

6 Fluid cleanliness ratings

Code	Fluid cleanliness level	Element construction
03	16/14/12 or better	C or E-pak
05	18/16/14 or better	C or E-pak
10	20/18/15 or better	C or E-pak
20	22/19/16 or better	C-pak

The table above assumes limited ingress and a single pass of pump flow through the element. For more detailed information, please consult Vickers Guide to Systemic Contamination Control or contact your local Vickers Distributor.

Element Dimensions mm

