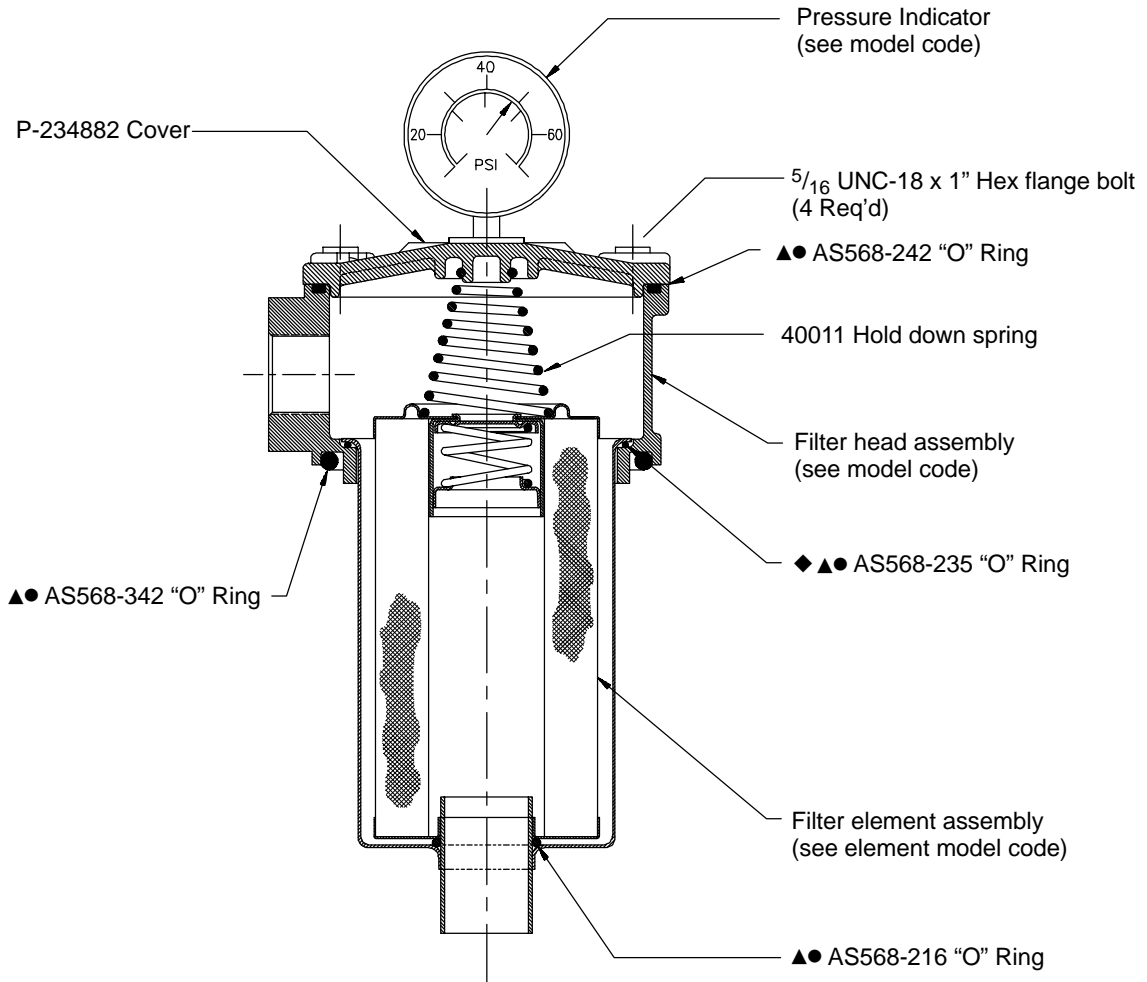


## Service Data

# High Performance/Low Pressure Filter Flows to 76 L/min MT15 Series



Bowl length mm	Element code length mm
121	130

NOTE: Bowl kits contain Buna-N seals, to order Viton seals, replace **B** in partnumber with a **V**.

Example:

From: P-234938-01**B**, for Buna.

To: P-234938-01**V**, for Viton.

▲ Included in seal kit P-233054-01 Buna

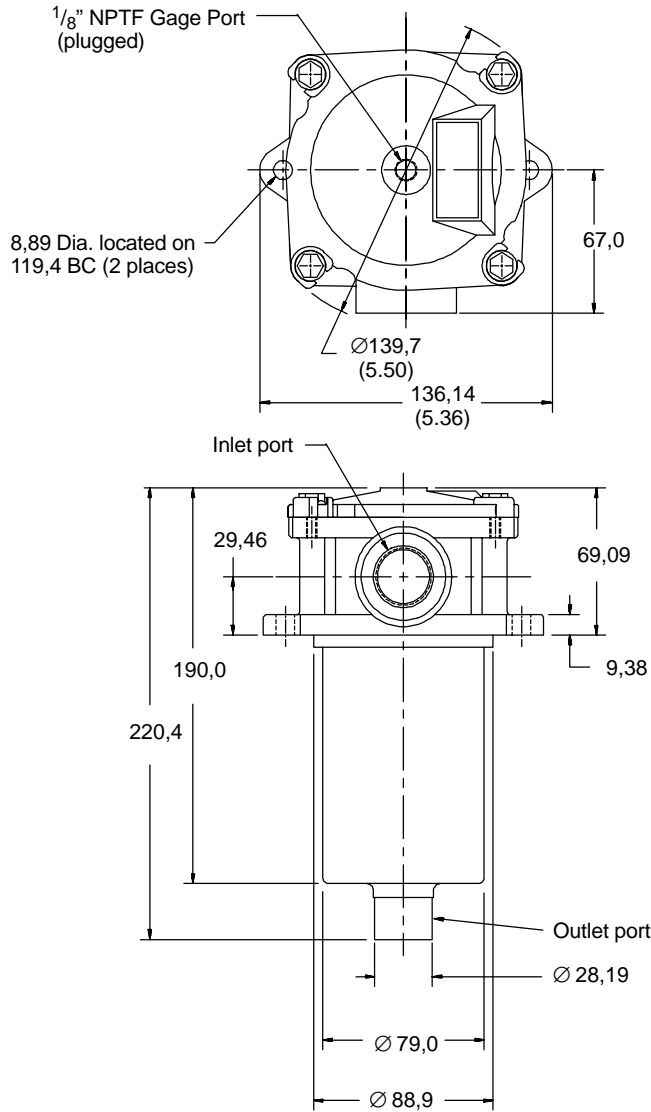
● Included in seal kit P-233054-03 Viton

◆ Included in Bowl kit P-234938

Bowl kits contain (Bowl, "O" Ring)

# MT15 Housing Dimensions

mm

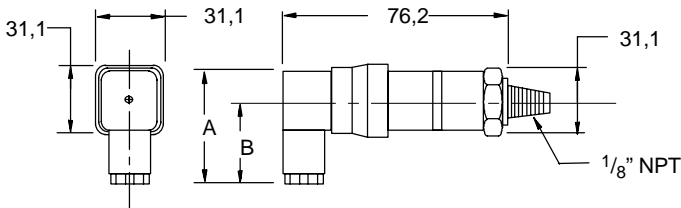


## Accessories

### Electrical Switch

Switch 1,2 bar Brad Harrison  
Switch 1,2 bar DIN

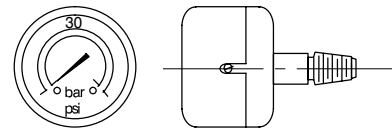
P-234117-01  
P-233051-01



Connector	A	B
DIN 43650	48,2	34,9
Brad Harrison	59,2	45,7

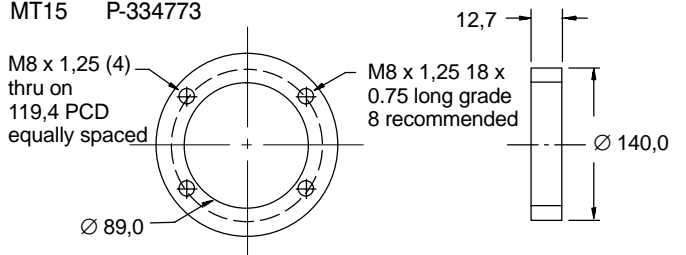
### Gauge

MT15 P-232965-01 0-4,1 bar color code

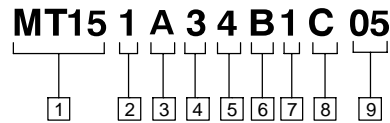


### Weld Flange

MT15 P-334773



# Head Sub-assembly Model Code



**1 Filter series**

**MT15**

**2 Element collapse rating**

**1** – 10 bar

**3 Port option**

**A** – G 3/4" to ISO 228

**4 Valve bypass setting option**

**3** – Bypass set at 1.75 ± 0.21 bar .  
(Integral with element)

**5 Indicator type**

**1** – No indicator, pipe plug installed  
**4** – 0 to 4 bar pressure gage  
**6** – Electrical switch 1,2 bar  
 Brad Harrison  
**8** – Electrical switch 1,2 bar DIN 43650

**6 Seal material**

**B** – Buna–N  
**V** – Viton–A

**7 Bowl length mm**

**1** – 121  
 S50 - Head subassembly only (no element, bowl or indicator)

**Element code length mm**

**130**

**8 Element construction**

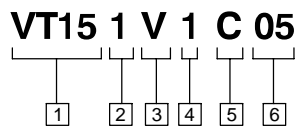
**C** – C–pak (3,5,10 & 20 grade)

**9 Fluid cleanliness ratings**

Code	Fluid cleanliness level	Element construction
<b>03</b>	16/14/12 or better	C–pak
<b>05</b>	18/16/14 or better	C–pak
<b>10</b>	20/18/15 or better	C–pak
<b>20</b>	22/19/16 or better	C–pak

The table above assumes limited ingress and a single pass of pump flow through the element. For more detailed information, please consult Vickers Guide to Systemic Contamination Control or contact your local Vickers Distributor.

# Element Model Code



**1 Filter element**

**VT15** – For use with MT15 series filters

**2 Element collapse rating**

**1** – 10 bar

**3 Seal material**

**V** – Viton–A

**5 Element construction**

**C** – C–pak (3,5,10 & 20 grade)

**6 Fluid cleanliness ratings**

Code	Target fluid cleanliness level
<b>03</b>	16/14/12 or better
<b>05</b>	18/16/14 or better
<b>10</b>	20/18/15 or better
<b>20</b>	22/19/16 or better

The table above assumes limited ingress and a single pass of pump flow through the element. For more detailed information, please consult Vickers Guide to Systemic Contamination Control or contact your local Vickers Distributor.

**Element Dimensions mm**

