



# **H061 Series High Performance Low Pressure Filter**

**Flows to 189 L/min (50 USgpm) 41,4 bar (600 psi)**

## Service Data

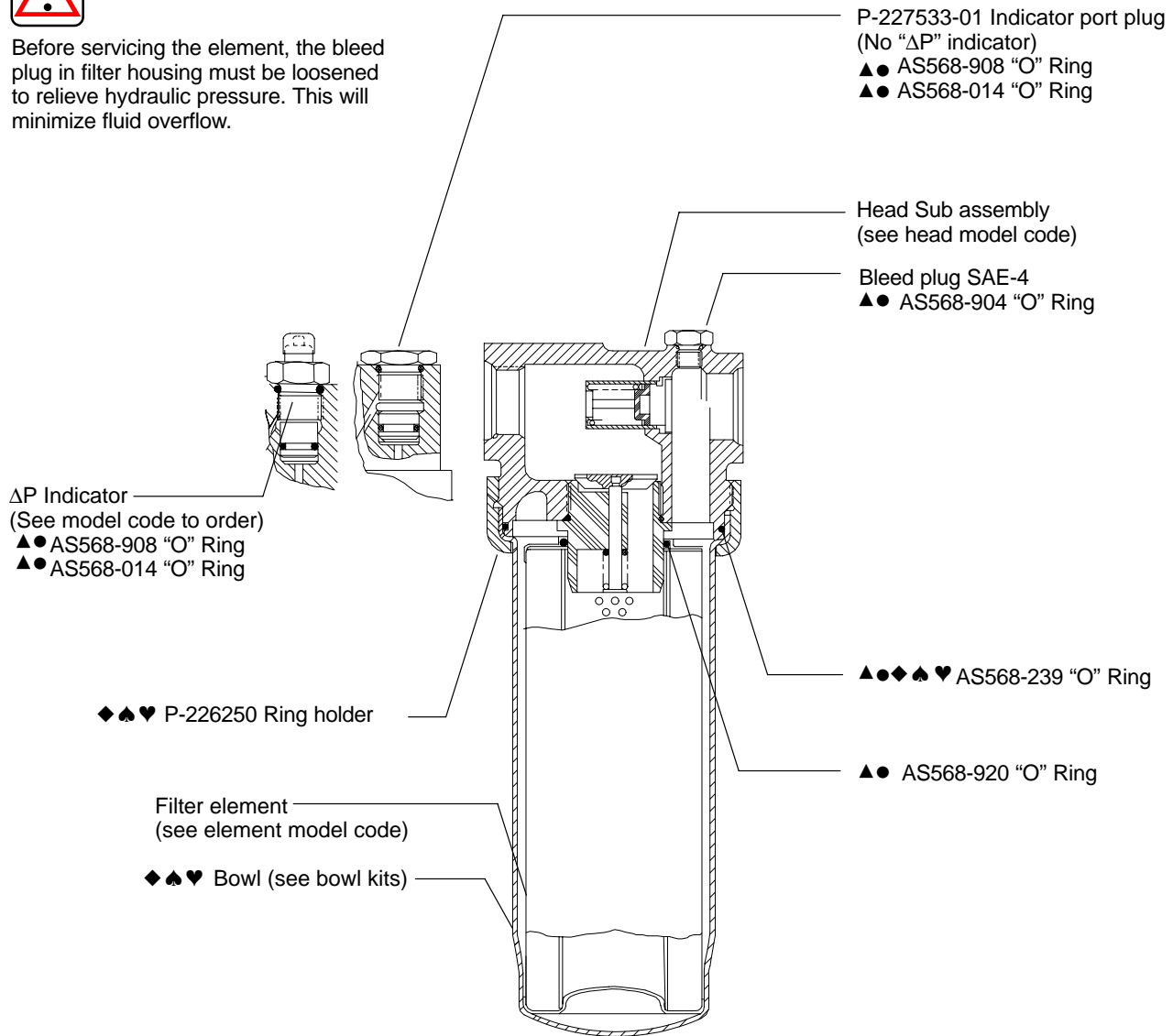
# H061 Series High Performance Low Pressure Filter

Flows to 189 L/min (50 USgpm) 41,4 bar (600 psi)



### CAUTION

Before servicing the element, the bleed plug in filter housing must be loosened to relieve hydraulic pressure. This will minimize fluid overflow.



NOTE: Bowl kits contain Buna-N seals, to order Viton seals, replace **B** in part number with a **V**.

Example:

From: P-133233-01**B**, for Buna.

To: P-133233-01**V**, for Viton.

▲ Included in seal kit P-427466-1A Buna  
 ● Included in seal kit P-427466-3A Viton  
 ◆ Included in 4" Bowl kit P-133233-01B  
 ♠ Included in 8" Bowl kit P-133233-02B  
 ♥ Included in 13" Bowl kit P-133233-04B  
 Bowl kits contain (Bowl, "O" Ring, & Ring holder.

## Head Sub Assembly Model Code

**H061 \* \* \* JN \* S50**

### 1 Filter series

**H061**

### 2 Element collapse rating

- 1 – 150 PSID (10 bar)
- 3 – 600 PSID (210 bar) (H-pak only)

### 3 Port options

- A** – 1.062-12 UN SAE-12 str. thd. (3/4" tube)
- B** – 1.312-12 UN SAE-16 str. thd. (1" tube)

### 4 Valve options

- 1 – Non-bypass
- 3 – Bypass set at  $22 \pm 3$  PSID (1,5 bar) cracking pressure
- 4 – Bypass set at  $50 \pm 5$  PSID (3,4 bar) cracking pressure

### 5 $\Delta P$ indicator & receptacle options First designator (Indicator type)

**J** - No  $\Delta P$  Indicator

### Second designator (Electrical receptacle)

**N** – No receptacle – Use with visual  $\Delta P$  indicator only

### 6 Seal material

- B** – Buna-N
- V** – Viton-A

### 7 S50 - Head sub assembly

## Element Model Code

**V602 1 B 1 C 05**

### 1 Filter element

**V602** – For use with H061 series filters

### 2 Element collapse rating

- 1 – 150 PSI (10 bar)
  - 3 – 600 PSI (41,4 bar)
- NOTE: 1 use only with bypass valve or monitored  $\Delta P$  indicator

### 3 Seal material

- B** – Buna-N
- V** – Viton-A

### 4 Bowl length mm (in)      Element code length mm (in)

- |                   |            |
|-------------------|------------|
| 1 – 185,4 (7.3)   | 101,6 (4)  |
| 2 – 276,8 (10.9)* | 203,0 (8)* |
| 4 – 398,3 (15.64) | 330,2 (13) |
- \*HF3

### 5 Element construction

- C** – C-pak (grade 01, 03, 05, 10, 20)
- E** – E-pak 600 psid (grade 3, 5, 10)

### 6 Fluid cleanliness ratings

Code	Fluid cleanliness level
<b>03</b>	16/14/12 or better
<b>05</b>	18/16/14 or better
<b>10</b>	20/18/15 or better
<b>20</b>	22/19/16 or better

The table above assumes limited ingress and a single pass of pump flow through the element. For more detailed information, please consult Vickers Guide to Systemic Contamination Control **561** or contact your local Vickers Distributor.

## Differential Pressure Indicator Model Code

**P \* \*\*\* \* \* \* (S) (M)**

### 1 Style option

- PV** – Visual
- PE** – Electrical
- PD** – Electrical/Visual

### 2 Actuation pressure option

- 015** –  $15 \pm 4$  PSID (1 bar)
- 035** –  $35 \pm 5$  PSID (2,4 bar)
- 070** –  $70 \pm 7$  PSID (4,8 bar) (not an option with 330/340 filters)
- 100** –  $100 \pm 12$  PSID (6,9 bar)

### 3 Thermal lockout option

- N** – No thermal lockout (not an option with IFI indicator)
- T** – Thermal lockout (standard TLO= $80 \pm 20^\circ$  F)

### 4 Seal option

- 1 – Buna-N
- 2 – Viton

### 5 Receptacle option

- B** – 5-pin Brad Harrison (41512) (not an option with visual indicator)
- H** – Hirschman (DIN 43650) (not an option with visual indicator)
- N** – No receptacle (use with visual indicator) (not an option with IFI indicator)

### 6 Surge control option

- None** – No surge control
- S** – Surge control (not an option with 330/340 filters)

### 7 Filter series option

- None** – Standard
- M** – 330/340 Series filters only

Information contained in this catalog is accurate as of the publication date and is subject to change without notice. Performance values are typical values. Customers are responsible for selecting products for their applications using normal engineering methods.

**Eaton Hydraulics**

15151 Highway 5  
Eden Prairie, MN 55344  
Telephone: 612 937-7254  
Fax: 612 937-7130  
[www.eatonhydraulics.com](http://www.eatonhydraulics.com)

46 New Lane, Havant  
Hampshire PO9 2NB  
England  
Telephone: (44) 170-548-6451  
Fax: (44) 170-548-7110



**Quality System Certified**  
Products in this catalog are  
manufactured in an  
ISO-9001-certified site.

