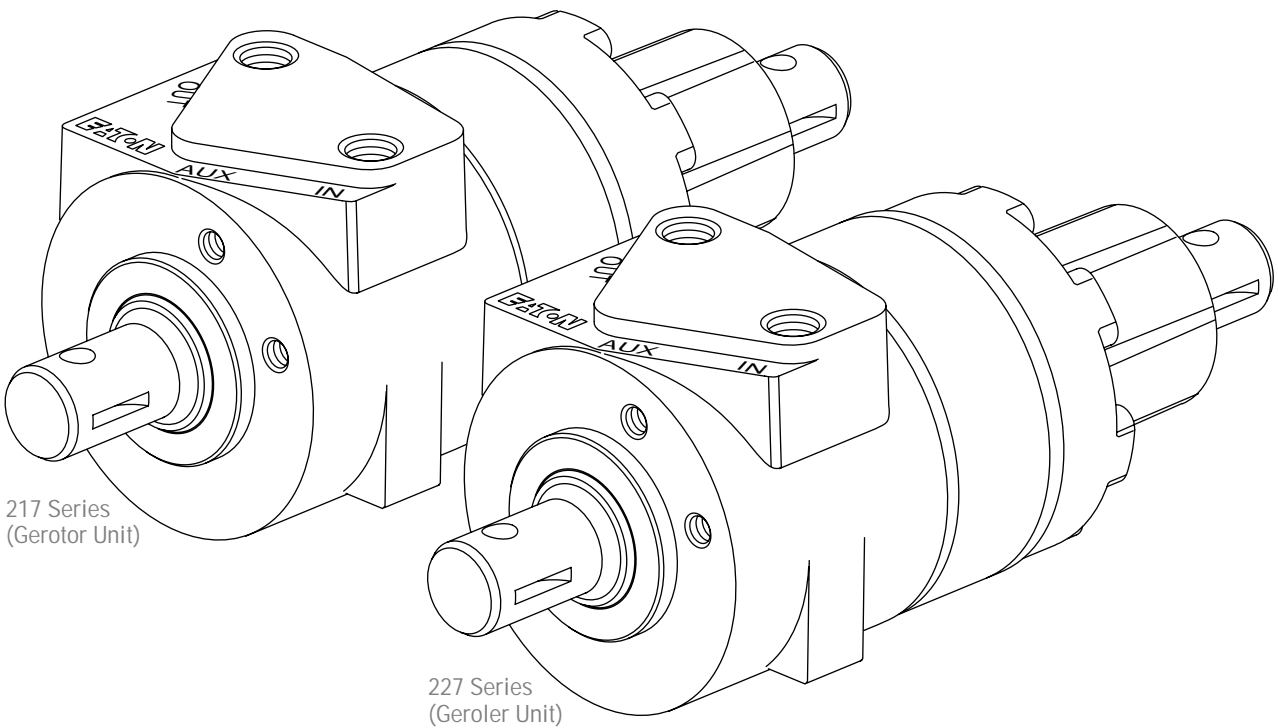


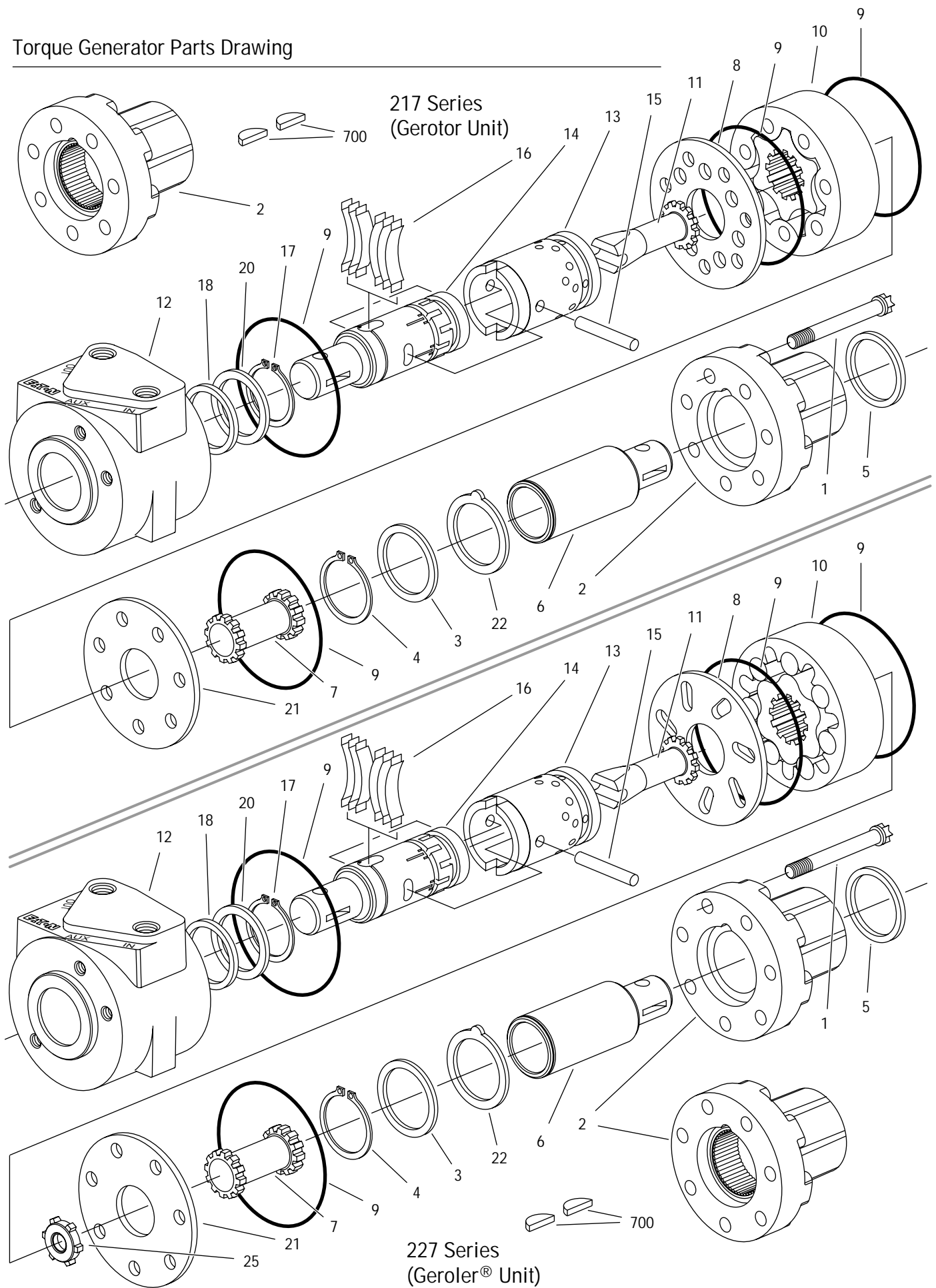


## Parts Information



217 Series and 227 Series  
Torque Generator

# Torque Generator Parts Drawing



# Torque Generator Parts List



Ref. No.	217 Series (Gerotor Unit)	227 Series (Geroler Unit)	Description	Quantity
1	*	*	Screw, Cap (6 Point (E10) Drive 5/16-24 UNF)	7
2	201041-000	201042-000	Housing, Power End	1
	23411-003	23411-004	Housing, Power End (Bearings, Needle Type)	1
3	14564-000	14564-000	Washer	1
4	16078-022	16078-022	Ring, Retaining	1
X 5	9004-008	9004-008	Seal, Quad	1
6	201039-000	201039-000	Shaft, Power End	1
7	*	*	Drive, Power End	1
8	23092-000	23448-000	Plate, Spacer	1
X 9	5776-000	250001-041	Seal, O-ring	4
10	*	*	Gerotor or Geroler	1
11	*	*	Drive, Control End	1
12	*	*	Housing, Valve	1
13	*	*	Sleeve	1
14	*	*	Spool	1
15	15-000	15-000	Pin	1
16	230327-000	230327-000	Spring, Centering — for Standard Input Torque	6
	370-000	370-000	Spring, Centering — for Increased Input Torque	6
17	16078-020	16078-020	Ring, Retaining	1
X 18	14520-002	14520-002	Seal, Quad	1
18a	14617-000	14617-000	Seal, Shaft (Lip Type — see Page 5)	1
X 19	15009-000	15009-000	O-ring	2
20	14565-000	14565-000	Washer	1
21	23378-000	23419-000	Plate, Spacer	1
22	14592-000	14592-000	Washer	1
25	*	*	Spacer	1
26	22894-004	22894-004	Relief Valve S/A	1
27	9253-000	9253-000	Plug	1
28	250001-113	250001-113	O-ring	1
30	21262-000	21262-000	Spacer, Spring	4
700	18033-000	18033-000	Key, Woodruff	2
X	64500-000	64499-000	Seal Kit — Contains parts indicated by X	

\* See Separate Chart

Displ. cm <sup>3</sup> /r [in <sup>3</sup> /r]	Item No. 1		Item No. 7		Item No. 10		Item No. 11		Item No. 25	
	Cap Screws (7)	Length mm [in]	Power End Drive (1)	Length mm [in]	Gerotor or Geroler (1)	Width mm [in]	Control End Drive (1)	Length mm [in]	Spacer (1)	Width mm [in]
76 [4.7]	16294-200	50,8 [2.00]	148-000	50,4 [1.98]	8618-033	6,3 [ .25]	23284-001	58,9 [2.32]	—	
96 [5.9]	16294-200	50,8 [2.00]	148-000	50,4 [1.98]	8618-003	13,2 [ .52]	23284-001	58,9 [2.32]	—	
160 [9.7]	16294-225	57,1 [2.25]	45-000	52,7 [2.07]	8618-004	22,0 [ .86]	23284-002	64,0 [2.52]	—	
80 [4.9]	16294-200	50,8 [2.00]	148-000	50,4 [1.98]	23440-004	14,7 [ .58]	23284-001	58,9 [2.32]	6901-015	2,5 [ .10]
120 [6.2]	16294-212	53,8 [2.12]	45-000	52,7 [2.07]	23440-005	18,5 [ .73]	23284-001	58,9 [2.32]	6901-009	3,6 [ .14]
160 [9.7]	16294-262	66,6 [2.62]	45-000	52,7 [2.07]	23440-007	29,0 [1.14]	23284-002	64,0 [2.52]	6901-002	8,1 [ .32]

## Standard Open Center Model— Housing — Sleeve — Spool

Ref. No.	217 Series (Gerotor Unit)	227 Series (Geroler Unit)	Description	Quantity
12	201045-002	201046-002	Housing, Valve — 9/16-18 Ports (2) Open Center No Relief Valve Option	1
	201045-003	—	Housing, Valve — Manifold (2 Mounting Holes) Open Center No Relief Valve Option	1
	201045-006	201046-006	Housing, Valve — 9/16-18 Ports (2) Open Center with Relief Valve Option	1
	201045-007	—	Housing, Valve — Manifold (2 Mounting Holes) Open Center with Relief Valve Option	1
	201045-010	201046-010	Housing, Valve — G 3/8 (BSP) Ports (2) Open Center No Relief Valve Option	1
	201045-012	201046-012	Housing, Valve — G 3/8 (BSP) Ports (2) Open Center with Relief Valve Option	1
13	220736-000	220736-000	Sleeve — Open Center	1
14	220735-000	220735-000	Spool — Open Center — for Standard Torque Spring Pkg.	1
	220831-000	220831-000	Spool — Open Center — for Increased Input Torque Spring Pkg.	1

## Power Beyond Model — Housing — Sleeve — Spool

Ref. No.	217 Series (Gerotor Unit)	227 Series (Geroler Unit)	Description	Quantity
12	201045-001	201046-001	Housing, Valve — 9/16-18 Ports (3) Power Beyond No Relief Valve Option	1
	201045-005	201046-005	Housing, Valve — 9/16-18 Ports (3) Power Beyond with Relief Valve Option	1
	201045-009	201046-009	Housing, Valve — G 3/8 (BSP) Ports (3) Power Beyond No Relief Valve Option	1
	201045-011	201046-011	Housing, Valve — G 3/8 (BSP) Ports (3) Power Beyond with Relief Valve Option	1
13	220745-000	220745-000	Sleeve — Open Center — Power Beyond — Displacements**	1
14	220744-000	220744-000	Spool — Open Center — Power Beyond — Displacements**	1

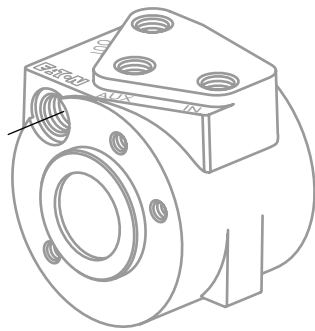
\*\*Standard Gerotor Displacements 76 [4.7], 96 [5.9] and 80 [4.9]

## Load Sensing Model — Housing — Sleeve — Spool

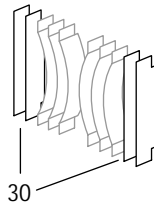
Ref. No.	217 Series (Gerotor Unit)	227 Series (Geroler Unit)	Description	Quantity
12	201045-001	201046-001	Housing, Valve — 9/16-18 Ports (3) Load Sensing No Relief Valve Option	1
	201045-005	201046-005	Housing, Valve — 9/16-18 Ports (3) Load Sensing with Relief Valve Option	1
	201045-009	201046-009	Housing, Valve — G 3/8 (BSP) Ports (3) Load Sensing No Relief Valve Option	1
	201045-011	201046-011	Housing, Valve — G 3/8 (BSP) Ports (3) Load Sensing with Relief Valve Option	1
13	220817-000	220817-000	Sleeve — Load Sensing	1
14	220816-000	220816-000	Spool — Load Sensing — for Standard Input Torque Spring Pkg.	1

## Open Center with Case Drain— Housing — Sleeve — Spool

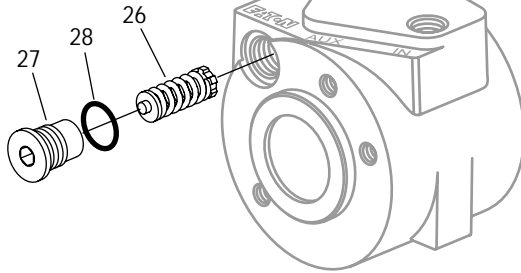
Ref. No.	217 Series (Gerotor Unit)	227 Series (Geroler Unit)	Description	Quantity
12	201045-001	201046-001	Housing, Valve — 9/16-18 Ports (3) Open Center w/Case Drain No Relief Valve Option	1
	201045-005	201046-005	Housing, Valve — 9/16-18 Ports (3) Open Center w/Case Drain and Relief Valve Option	1
	201045-009	201046-009	Housing, Valve — G 3/8 (BSP) Ports (3) Open Center w/Case Drain No Relief Valve Option	1
	201045-011	201046-011	Housing, Valve — G 3/8 (BSP) Ports (3) Open Center w/Case Drain and Relief Valve Option	1
13	220753-000	220753-000	Sleeve — High Back Pressure	1
14	220752-000	220752-000	Spool — Open Center — High Back Pressure — for Standard Input Torque Spring Pkg.	1
	220799-000	220799-000	Spool — Open Center — High Back Pressure — for Increased Input Torque Spring Pkg.	1



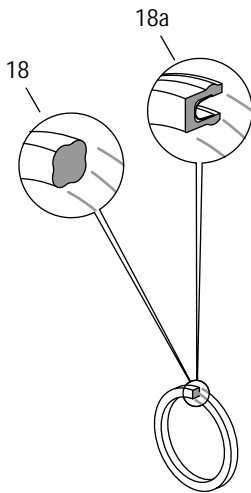
- Three Port Housing
- Power Beyond
  - Load Sensing
  - Open Center with Case Drain
  - With Internal Inlet Relief
  - Without Internal Inlet Relief



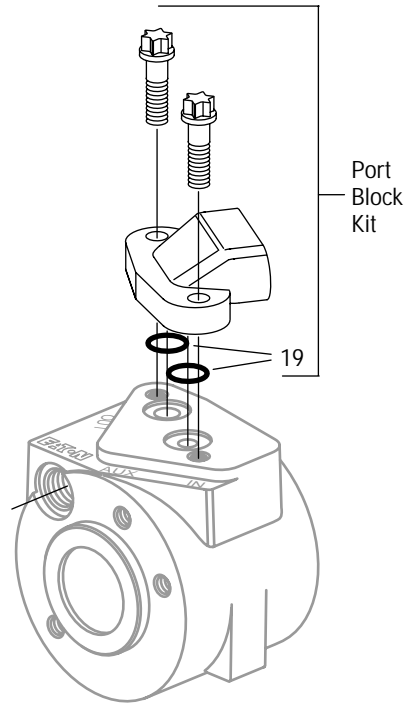
Four Spring Spacers added to outside of six springs for Increased input torque (Special Spool Required see Ref. No. 14).



- Two Port Housings
- With Internal Inlet Relief
  - Without Internal Inlet Relief



- Two Input Shaft Seals Available
- Quad Seal
  - Lip Seal



217 Series will Accept 90° Port Block Kit — NO. 208-1015 Kit contains port block with two 3/8-18 NPTF ports for right angle connection, two 5/16-18 cap screws, and two o-rings.

227 Series will require customer supplied port block — contact your Eaton representative.

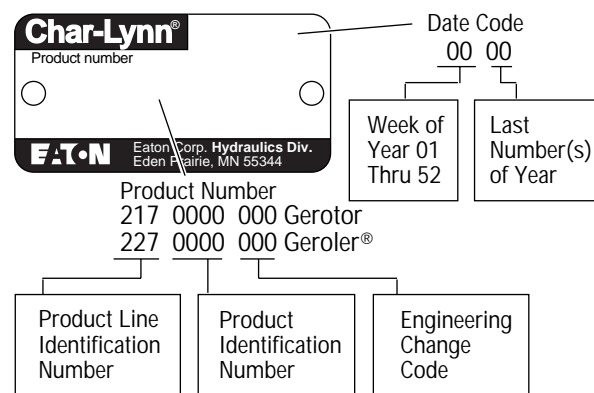
For Additional Literature Contact Eaton Corp. Hydraulics Division 15151 Highway 5 Eden Prairie, MN 55344.

- Specifications and performance Data, Catalog No. 11-302
- When Servicing 217 Series and 217 Series Torque Generators Refer to Repair Information No. 7-312. This Repair Manual List Tools Required, Step by Step Disassembly and Reassembly Procedures.

How to Order Replacement Parts

Each Order Must Include the Following:

- |                   |                      |
|-------------------|----------------------|
| 1. Product Number | 4. Part Number       |
| 2. Date Code      | 5. Quantity of Parts |
| 3. Part Name      |                      |



Notes: \_\_\_\_\_

\_\_\_\_\_

\_\_\_\_\_

\_\_\_\_\_

\_\_\_\_\_

\_\_\_\_\_

\_\_\_\_\_

\_\_\_\_\_

\_\_\_\_\_

\_\_\_\_\_

\_\_\_\_\_

\_\_\_\_\_

\_\_\_\_\_

\_\_\_\_\_

\_\_\_\_\_

\_\_\_\_\_

\_\_\_\_\_

\_\_\_\_\_

\_\_\_\_\_

\_\_\_\_\_

\_\_\_\_\_

\_\_\_\_\_

## Torque Generator Parts List

---

Eaton Corporation  
Hydraulics Division  
15151 Hwy. 5  
Eden Prairie, MN 55344  
Telephone 612/937-9800  
Fax 612/937-7130

Eaton Ltd.  
Hydraulics Division  
Glenrothes, Fife  
Scotland, KY7 4NW  
Telephone 01-592-771-771  
Fax 01-592-773-184

Eaton GmbH  
Hydraulics Products  
Am Schimmersfeld 7  
40880 Ratingen, Germany  
Telephone 02102-406-830  
Fax 02102-406-800



Quality System Certified  
Products in this catalog are manufactured  
in an ISO-9001-certified site.

---

<http://www.eaton.com>

Form No. 6-324

Copyright Eaton Corporation, 1994, and 1996  
All Rights Reserved  
Printed in USA

**EAT•N**