

Service Data

Vickers®

Piston Motors



Dual Displacement, Pilot Operated, Piston Motor

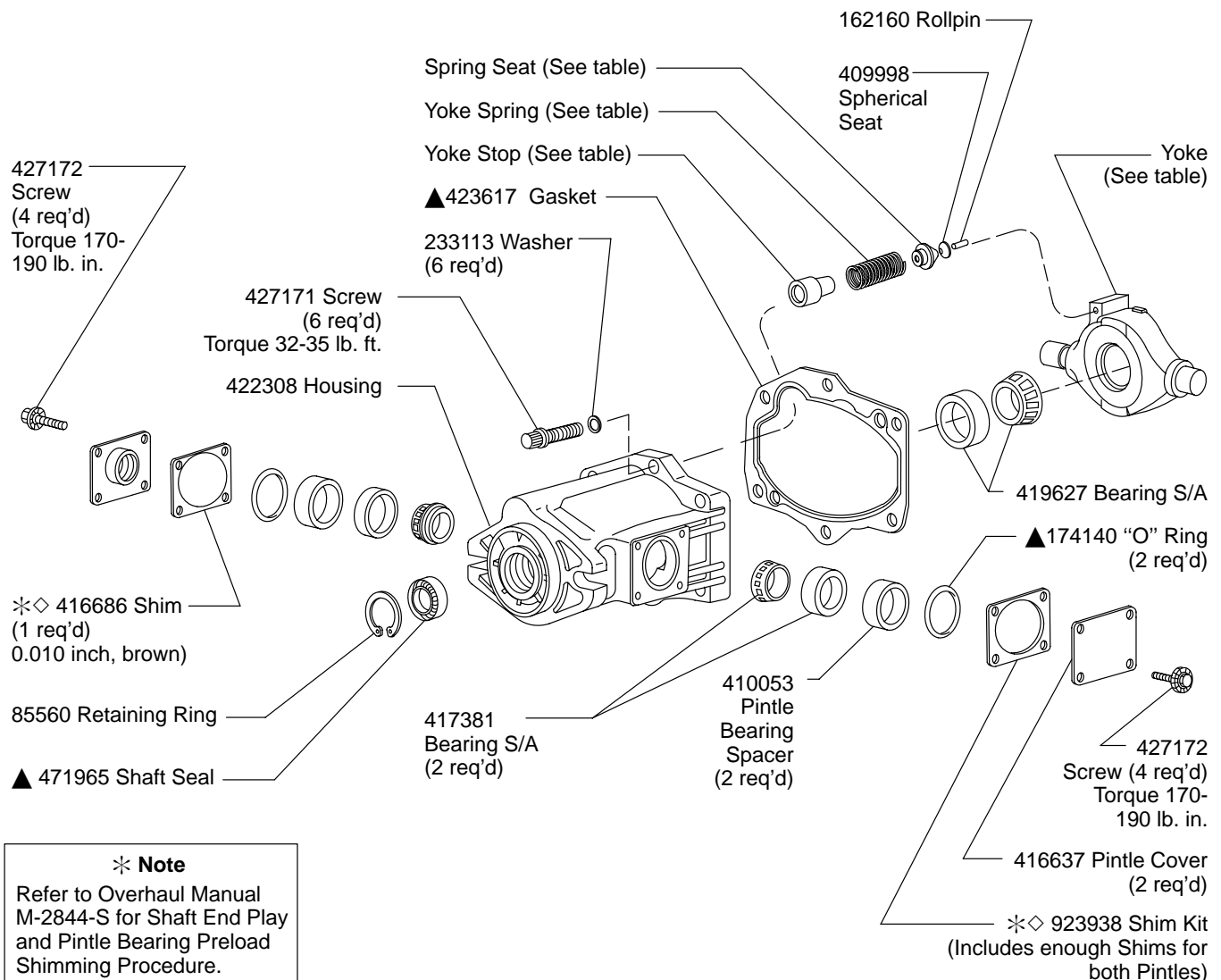
MVE-19-*-30-M**/P*-10-(030)

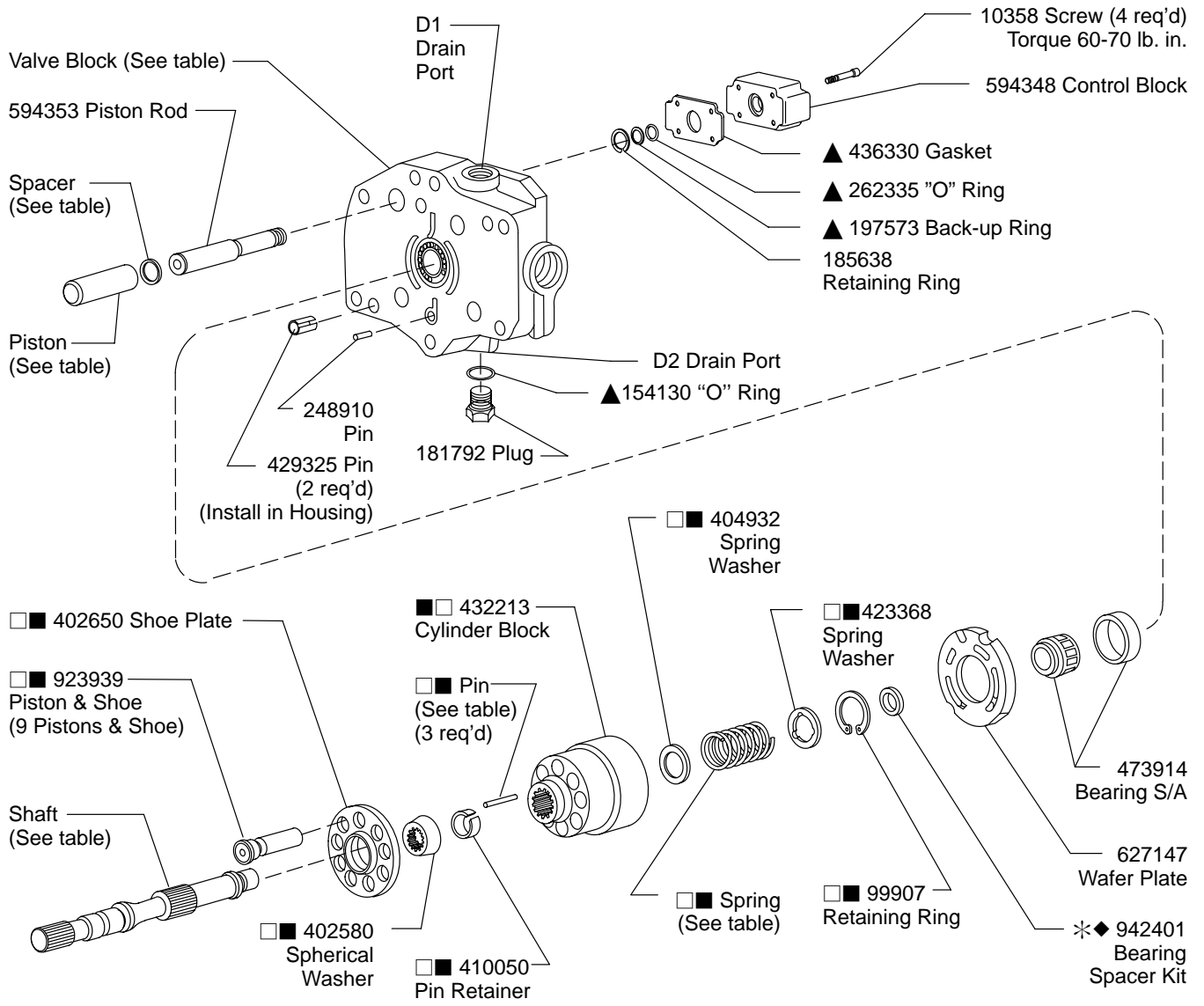
- ▲ Included in Seal Kit 920248
- ◇ Included in Pintle Shim Kit 923938
- ◆ Included in Bearing Spacer Kit 942401
- Included in Rotating Group (M*-10) 938092
- Included in Rotating Group (P*-10) 923941

Model	Port	Valve Block
MVE19-*-30-**-10	Side	594346
MVE19-*-30-**-10-030	Rear	680780

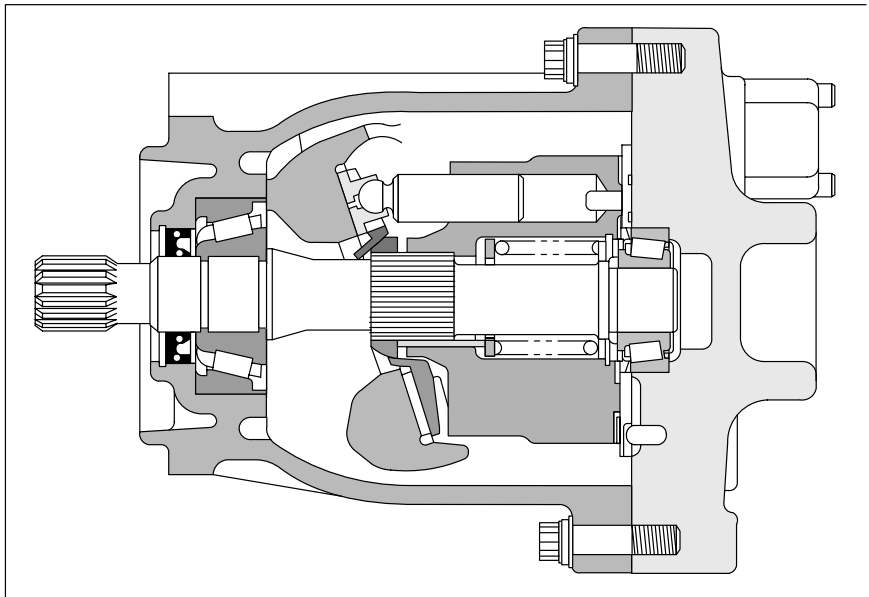
Model	Spacer
MVE19-*-30-M0-10	Omit
MVE19-*-30-M7-10	629521
MVE19-*-30-M9-10	629522
MVE19-*-30-M11-10	629523
MVE19-*-30-M13-10	629527
MVE19-*-30-M14-10	595487
MVE19-*-30-M15-10	629524
MVE19-*-30-P7-10	Omit
MVE19-*-30-P9-10	

Model	Yoke Stop	Yoke Spring	Spring Seat	Yoke	Piston	Pin	Spring
MVE19-*-30-M*-10	Omit	594347	594355	594341	594354	393841	594799
MVE19-*-30-P7-10	581054	581075	581053	409997	404958	248810	418271
MVE19-*-30-P9-10			500572				

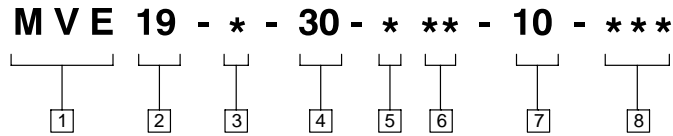




Model	Shaft	SAE Shaft Type
MVE19-2	423415	B-B Splined
MVE19-9	424544	B Splined



Model Code



1 Model Series

MVE - Motor, variable displacement, inline piston unit - E Series

2 Flow Rating

@ 1800 rpm

19 – 19 USgpm

3 Output Shaft

2 - SAE B-B splined

9 - SAE B splined

4 Motor Design

5 Control Option

M - External pilot control
(Loss of control pressure results in min. stroke, max. speed)

P - External pilot control
(Loss of control pressure results in max. stroke, min. speed)

6 Min. Displacement Angle

0 - 0° **11** - 11°

7 - 7° **13** - 13°

9 - 9° **14** - 14°

15 - 15°

7 Control Design

8 Special Suffix

030 - Rear ports

For satisfactory service life of these components in industrial applications, use full flow filtration to provide fluid which meets ISO cleanliness code 20/18/15 or cleaner. Selections from Eaton OFP, OFR, and OFRS series are recommended.