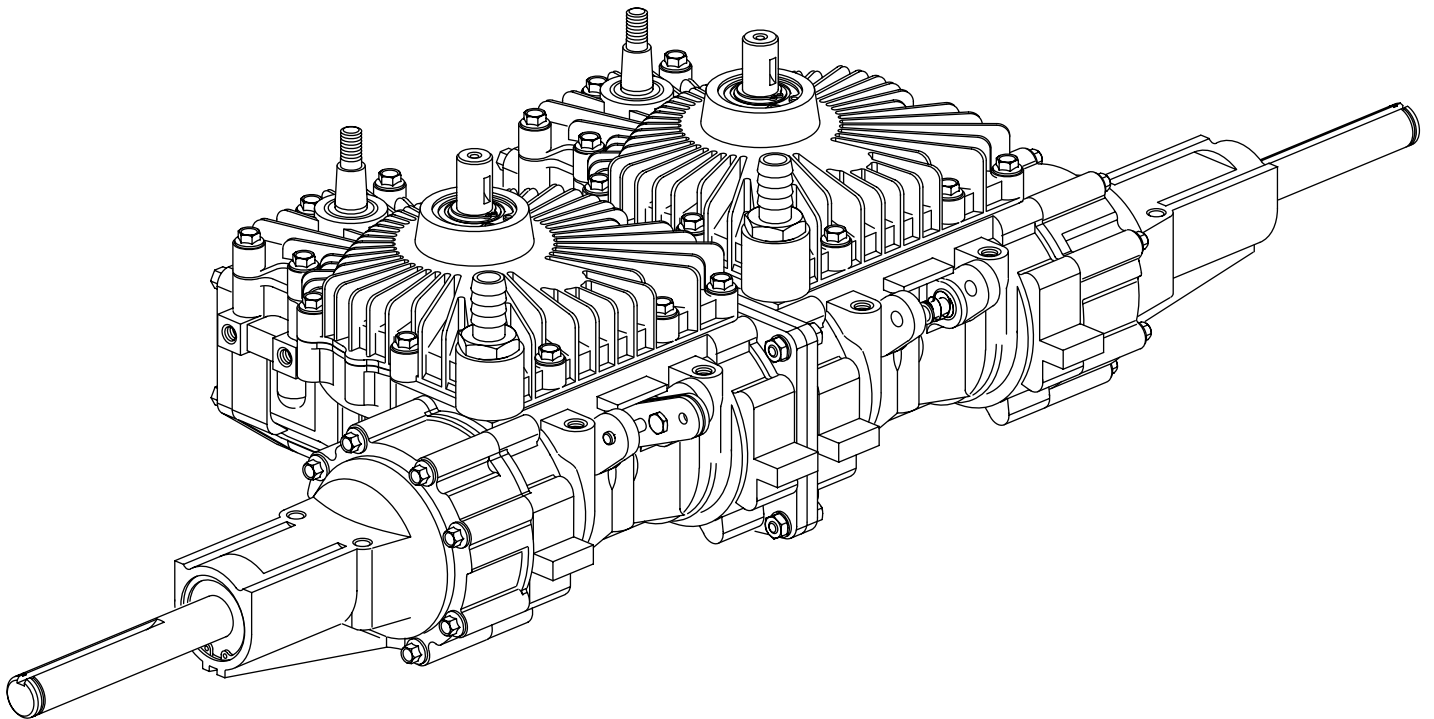




## Parts Information



Transaxle Series 781



# Series 781

Ref. No.	Part Number	Description	Qty.	Ref. No.	Part Number	Description	Qty.
1	104436-100	Screw, 1/4-20 Self Tap	26		106204	21T Plnt Gear(S/A)2nd Steel	6
2	106071	Cover (S/A)	2	38	106137	Secondary Carrier (S/A)	2
3	101680-156	Ring, Retaining, Internal	2	39	106178-000	Axle Housing (S/A) A-Side	1
4	106073	Shaft, Input (S/A)	2	39a	106178-000	Axle Housing (S/A) B-Side	1
5	93955	Seal, Input Shaft	2		106190**	Magnet (S/A)	2
6	93895	Seal, Control Shaft	2	40	106162	Housing, Axle	2
7	106070	Cover	2	41	103983-098	Ring, Retaining, External	4
8	105327	Gasket, Cover	2	42	103966	Thrust Washer	4
9	101597	Button	4	43	101680-206	Ring, Retaining, Internal	2
10	104107	Drive	2	44	104928	Bearing, Ball	2
11	105228	Pump Rotor/Ball (S/A)	2	45	103960	Seal, Radial Lip	2
	104415	Pump Rotor/Ball/Pin (S/A)	2	46	106177-000	Shaft, Axle Ñ A-Side	1
12	105813	Cam Ring (S/A)	2		106177-000	Shaft, Axle Ñ B-Side	1
13	103621	Insert	2	47	106285	.625 Str. Fitting/O-ring (S/A)	A/R
14	103611	Control Shaft, External Thrd.	2	48	106631	.375 Str. Fitting/O-ring (S/A)	A/R
14a	104935	Control Shaft, Internal Thrd.	2	49	105636	.375 90j Fitting/O-ring (S/A)	A/R
15	N/A	Housing (S/A) w/parts 57-60	1	50	106008	Plug/O-ring (S/A)	A/R
	***	Housing (S/A) w/parts 61-63	1		8785-010	O-ring for Fittings (47-50)	A/R
16	103757-088	Screw, 1/4-20 Hex Flange	10	51	8771-130	Seal, Square Cut	2
17	106201	Cover, Valve	2	52	101264	Adapter, 7/8-14 O-ring Port	2
17a	106385	Port Plate (Horiz. Mount)	2	53	***	Piston, Dampening	
18	106202	Filter (Internal)	2		104962	Piston (S/A)	4
19	106200	Gasket, V Cover/P Plate	2		105814*	Piston (S/A)	4
20	106008	Plug/Seal (S/A) No Dump V	2	54		Brake Lever Parts	
	8785-010	Seal, O-ring	2	A	106450	Seal, Quad	2
20a		Dump Valve Parts	2	B	106079	Rod, Push	2
21	104664	Nut, Dump Valve Fitting	2	C	106437-000	Retainer, E-Ring	6
22	8785-010	Seal, O-ring	2	D	106784	Spring Base (S/A)	2
23	104684	Spring, Dump Valve	2	E	106078	Spring, Conical	4
24	105660	Bracket, Dump Valve	2	F	106261	Shaft, Brake	1
25	8761-013	Seal, O-ring	2	G	16032-406P	Screw, Cap, Hex	1
26	103757-225	Screw 5/16 Hex Flange	16	H	106128-001	Lever, Brake RH	1
27	106129	Gasket, Axle Housing	2	I	106128-002	Lever, Brake LH	1
28	104551	15T Motor Rotor/Ball (S/A)	2	J	106144-XXX	Shim	A/R
29	110185	Pad, Friction	2	K	16188-4	Nut, Hex, Lock	1
29a	110186	Spacer	2	L	106388	Rod, Push	1
30	106414	Plate, Reaction	2				
31	106104	Plate, Backup	2	101	104167-000	Square Key (Straight Shaft)	2
32	104338	15T Sun Gear, First	2				
33	106027	Gear, Ring 57T	4				
34	106167	21T Planet Gear (S/A) First	6				
35	106174	15T Primary Carrier (S/A)	2				
36	104812	15T Sun Gear, Second	2				
	104984	15T Sun Gear, 2nd (Steel)	2				
37	106169	21T Plnt Gear (S/A) Second	6				

Continued on Next Page.

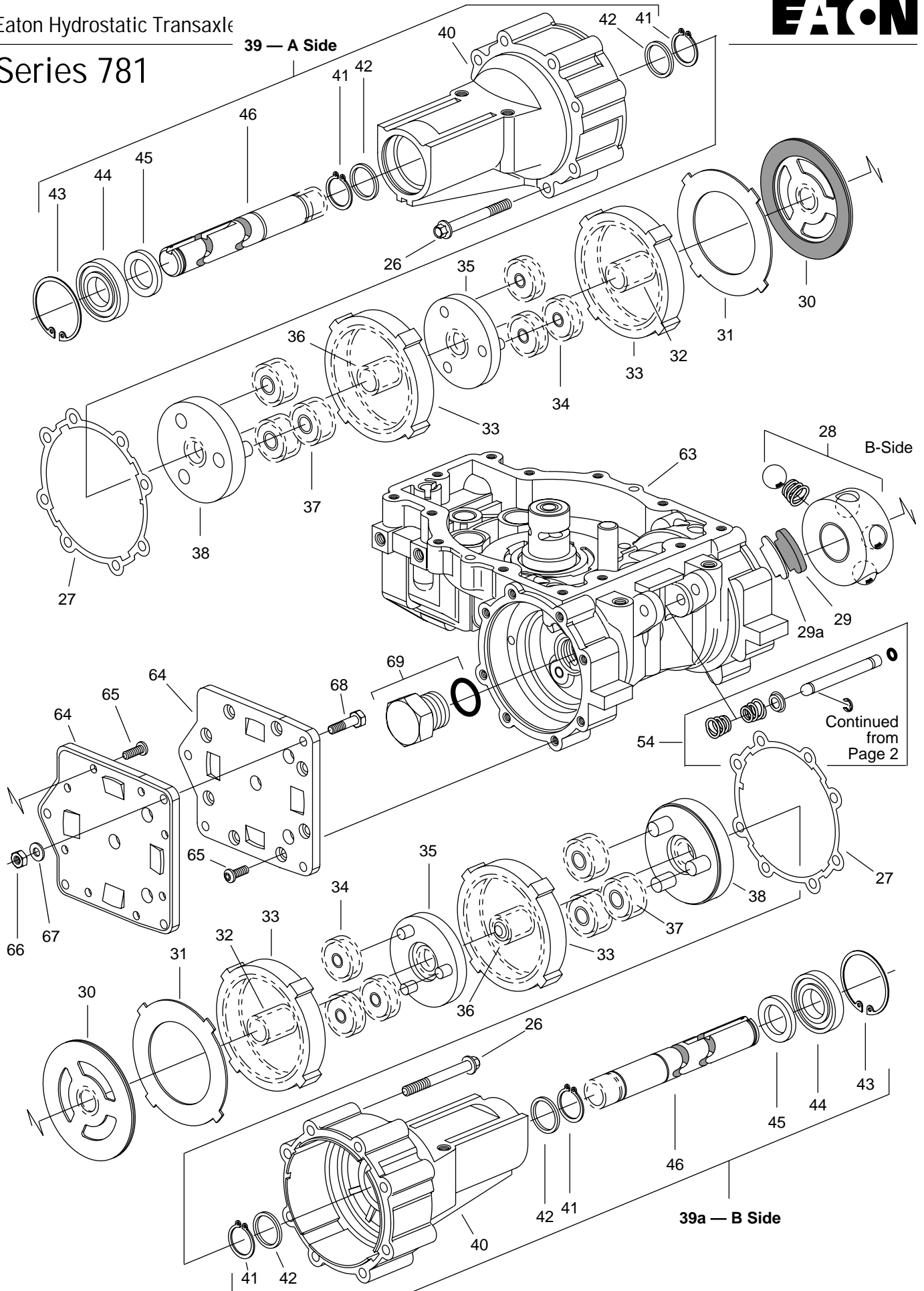
\*Piston, Dampening (S/A) - Wide Band Neutral Ñ Not Shown (has orifice hole through center).

A/R - as Required (S/A) - Sub Assy. (N/A) - Not Available

\*\*Magnet (S/A) - Not Shown (Removal Not Recommended)

\*\*\* See Chart on Page 6 Ñ Housing (S/A)

# Series 781



Ref. No.	Part Number	Description	Qty.	Ref. No.	Part Number	Description	Qty.
1	104436-100	Screw, 1/4-20 Self Tap	26		106204	21T Plnt Gear(S/A)2nd Steel	6
2	106071	Cover (S/A)	2	38	106137	Secondary Carrier (S/A)	2
3	101680-156	Ring, Retaining, Internal	2	<b>39</b>	106178-000	<b>Axle Housing (S/A) A-Side</b>	1
4	106073	Shaft, Input (S/A)	2	<b>39a</b>	106178-000	<b>Axle Housing (S/A) B-Side</b>	1
5	93955	Seal, Input Shaft	2		106190**	Magnet (S/A)	2
6	93895	Seal, Control Shaft	2	40	106162	Housing, Axle	2
7	106070	Cover	2	41	103983-098	Ring, Retaining, External	4
8	105327	Gasket, Cover	2	42	103966	Thrust Washer	4
9	101597	Button	4	43	101680-206	Ring, Retaining, Internal	2
10	104107	Drive	2	44	104928	Bearing, Ball	2
11	105228	Pump Rotor/Ball (S/A)	2	45	103960	Seal, Radial Lip	2
	104415	Pump Rotor/Ball/Pin (S/A)	2	46	106177-000	Shaft, Axle — A-Side	1
12	105813	Cam Ring (S/A)	2		106177-000	Shaft, Axle — B-Side	1
13	103621	Insert	2	47	106285	.625 Str. Fitting/O-ring (S/A)	A/R
14	103611	Control Shaft, External Thrd.	2	48	106631	.375 Str. Fitting/O-ring (S/A)	A/R
14a	104935	Control Shaft, Internal Thrd.	2	49	105636	.375 90° Fitting/O-ring (S/A)	A/R
15	N/A	Housing (S/A) w/parts 57-60	1	50	106008	Plug/O-ring (S/A)	A/R
	***	Housing (S/A) w/parts 61-63	1		8785-010	O-ring for Fittings (47-50)	A/R
16	103757-088	Screw, 1/4-20 Hex Flange	10	51	8771-130	Seal, Square Cut	2
17	106201	Cover, Valve	2	52	101264	Adapter, 7/8-14 O-ring Port	2
17a	106385	Port Plate (Horiz. Mount)	2	<b>53</b>	***	<b>Piston, Dampening</b>	
18	106202	Filter (Internal)	2		104962	Piston (S/A)	4
19	106200	Gasket, V Cover/P Plate	2		105814*	Piston (S/A)	4
20	106008	Plug/Seal (S/A) <b>No Dump V</b>	2	<b>54</b>		<b>Brake Lever Parts</b>	
	8785-010	Seal, O-ring	2	A	106450	Seal, Quad	2
<b>20a</b>		<b>Dump Valve Parts</b>	2	B	106079	Rod, Push	2
21	104664	Nut, Dump Valve Fitting	2	C	106437-000	Retainer, E-Ring	6
22	8785-010	Seal, O-ring	2	D	106784	Spring Base (S/A)	2
23	104684	Spring, Dump Valve	2	E	106078	Spring, Conical	4
24	105660	Bracket, Dump Valve	2	F	106261	Shaft, Brake	1
25	8761-013	Seal, O-ring	2	G	16032-406P	Screw, Cap, Hex	1
26	103757-225	Screw 5/16 Hex Flange	16	H	106128-001	Lever, Brake RH	1
27	106129	Gasket, Axle Housing	2	I	106128-002	Lever, Brake LH	1
28	104551	15T Motor Rotor/Ball (S/A)	2	J	106144-XXX	Shim	A/R
29	110185	Pad, Friction	2	K	16188-4	Nut, Hex, Lock	1
29a	110186	Spacer	2	L	106388	Rod, Push	1
30	106414	Plate, Reaction	2				
31	106104	Plate, Backup	2				
32	104338	15T Sun Gear, First	2				
33	106027	Gear, Ring 57T	4				
34	106167	21T Planet Gear (S/A) First	6				
35	106174	15T Primary Carrier (S/A)	2				
36	104812	15T Sun Gear, Second	2				
	104984	15T Sun Gear, 2nd (Steel)	2				
37	106169	21T Plnt Gear (S/A) Second	6				

Continued on Next Page.

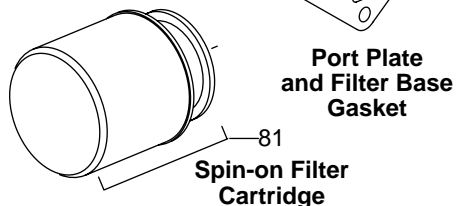
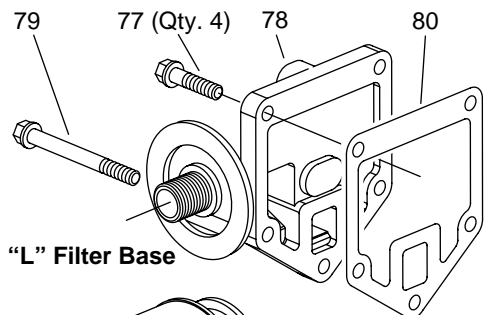
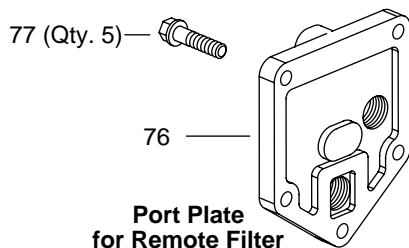
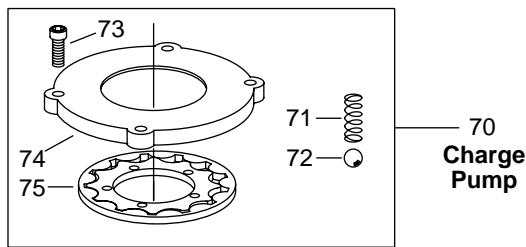
\*Piston, Dampening (S/A) - Wide Band Neutral — Not Shown (has orifice hole through center).

A/R - as Required (S/A) - Sub Assy. (N/A) - Not Available

\*\*Magnet (S/A) - Not Shown (Removal Not Recommended)

\*\*\* See Chart on Page 6 — Housing (S/A)

# Series 781



Continued from page list on page 3 and 5.

Ref. No.	Part Number	Current Housings		
		First Housings		Qty.
		Description	Qty.	
55	8761-121	Seal, O-ring	1	
56	104989	Cup, Seal	1	
57	104988	Washer	1	
58	103757-088	Screw, Hex, Flange	1	
59	8770-211	Ring, Backup		1
60	8765-211	Seal, O-ring		1
61	8785-014	Seal, O-ring		1
62	106505	Plug		1

Ref. No.	Part Number	Description	Qty.
63	***	Housing (S/A)	1
64	106199	Flange	2
65	105949-075	.25 Torx But Head Screw	16
66	96081-031	Nut, Hex	4
67	95897-031	Washer, Lock	4
68	95862-125	Screw, Cap, Hex Head	4
69	25090-014	Plug/O-ring (S/A)	1
	8785-014	O-ring	1
70		Charge Pump	2
71	104421	Spring	2
72	95881-038	Ball	2
73	101676-088	Screw, Cap, Socket	8
74	104467	Plate, Pump (Class II)	2
75	104466	Gerotor (Class II)	2
74 and 75	104701	Plate, Pump and Gerotor (High Pressure)	2
76	104531	Plate, Port	2
77	103757-088	Screw, 1/4-20 Hex Flange	A/R
78	104386	Filter Base "L"	2
79	103757-375	Screw, 1/4-20 Hex Flange	2
80	104392	Gasket	2
81	105258	Filter	2

\*\*\* See Charts Below — Housing (S/A)

Reference Number 15 Housing (other Parts Included in S/A are 59-62, 64 and 65)								
			No Wide Band Neutral (Ref. No. 53)			Wide Band Neutral (Ref. No. 53)		
			No Charge Pump	Charge Pump* (70)	High Press. Charge Pump	No Charge Pump	Charge Pump* (70)	High Press. Charge Pump
CW	A-Side	Standard	106232	—	—	106306	—	—
		Special	106230	—	—	—	—	—
CCW	A-Side	Standard	—	—	—	—	—	—

Ref. No. 63 Housing (other Parts Included in S/A are 64, 65 and 69)								
			No Wide Band Neutral (Ref. No. 53)			Wide Band Neutral (Ref. No. 53)		
			No Charge Pump	Charge Pump* (70)	High Press. Charge Pump	No Charge Pump	Charge Pump* (70)	High Press. Charge Pump
CW	B-Side	Standard	106231	—	—	106307	—	—
		Special	106229	—	—	—	—	—
CCW	B-Side	Standard	—	—	—	—	—	—

\*Class II



# Series 781

Eaton Corporation  
Hydraulics Division  
15151 Hwy. 5  
Eden Prairie, MN 55344  
Telephone 612/937-9800  
Fax 612/937-7130

Eaton Ltd.  
Hydraulics Division  
Glenrothes, Fife  
Scotland, KY7 4NW  
Telephone 01-592-771-771  
Fax 01-592-773-184

Eaton GmbH  
Hydraulics Products  
Am Schimmersfeld 7  
40880 Ratingen, Germany  
Telephone 02102-406-830  
Fax 02102-406-800



Quality System Certified  
Products in this catalog are manufactured  
in an ISO-9001-certified site.

---

<http://www.eaton.com>

Form No. 6-429

Copyright Eaton Corporation, 1991, 1997, and 1998  
All Rights Reserved  
Printed in USA

The Eaton logo, featuring the word 'EATON' in a bold, sans-serif font. The letter 'O' is stylized with a dot in the center.