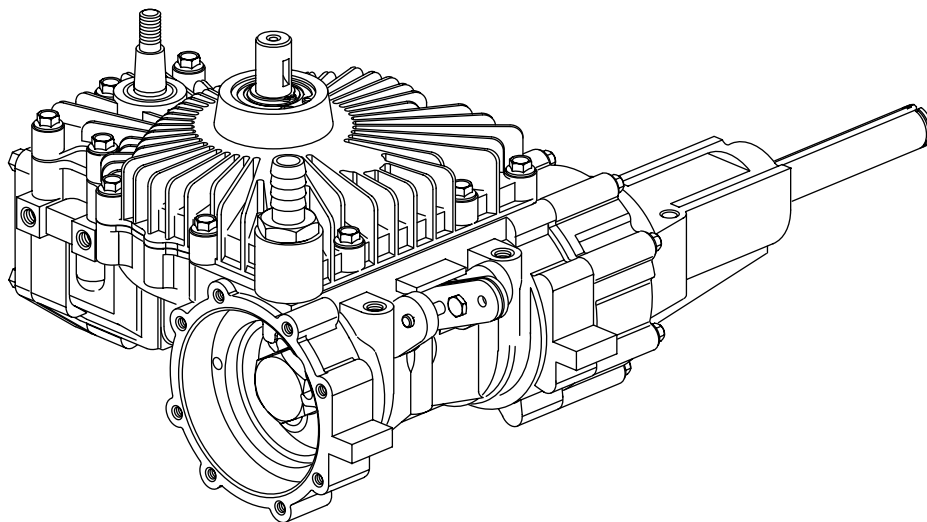




Parts Information



Transaxle Series 771 — B Side

Series 771 Ñ B Side

Ref. No.	Description	Qty.	Ref. No.	Description	Qty.
1	104436-100 Screw, 1/4-20 Self Tap	13	38	106137 Secondary Carrier (S/A)	1
2	106071 Cover (S/A)	1	39	106178-000 Axle Housing (S/A) B-Side	1
3	101680-156 Ring, Retaining, Internal	1		106190** Magnet (S/A)	1
4	106073 Shaft, Input (S/A)	1	40	106162 Housing, Axle	1
5	93955 Seal, Input Shaft	1	41	103983-098 Ring, Retaining, External	2
6	93895 Seal, Control Shaft	1	42	103966 Thrust Washer	2
7	106070 Cover	1	43	101680-206 Ring, Retaining, Internal	1
8	105327 Gasket, Cover	1	44	104928 Bearing, Ball	1
9	101597 Button	2	45	103960 Seal, Radial Lip	1
10	104107 Drive	1	46	106177-000 Shaft, Axle Ñ B-Side	1
11	105228 Pump Rotor/Ball (S/A)	1	47	106285 .625 Str. Fitting/O-ring (S/A)	A/R
	104415 Pump Rotor/Ball/Pin (S/A)	1	48	106631 .375 Str. Fitting/O-ring (S/A)	A/R
12	105813 Cam Ring (S/A)	1	49	105636 .375 90 _i Fitting/O-ring (S/A)	A/R
13	103621 Insert	1	50	106008 Plug/O-ring (S/A)	A/R
14	103611 Control Shaft, External Thrd.	1		8785-010 O-ring for Fittings (47-50)	A/R
14a	104935 Control Shaft, Internal Thrd.	1	51	8771-130 Seal, Square Cut	1
15	*** Housing (S/A)	1	52	101264 Adapter, 7/8-14 O-ring Port	1
16	103757-088 Screw, 1/4-20 Hex Flange	5	53	*** Piston, Dampening	
17	106201 Cover, Valve	1		104962 Piston (S/A)	2
17a	106385 Port Plate (Horiz. Mount)	1		105814* Piston (S/A)	2
18	106202 Filter (Internal)	1	54	Brake Lever Parts	
19	106200 Gasket, V Cover/ P Plate	1	A	106450 Quad Seal	1
20	106008 Plug/Seal (S/A) No Dump V	1	B	106079 Rod, Push	1
	8785-010 Seal, O-ring	1	C	106437-000 E-Ring	4
20a	Dump Valve Parts	1	D	106119 Spring Base (S/A)	1
21	104664 Nut, Dump Valve Fitting	1	E	106078 Spring, Conical	2
22	8785-010 Seal, O-ring	1	F	106261 Shaft, Brake	1
23	104684 Spring, Dump Valve	1	G	16032-406P Screw, Cap, Hex	1
24	105660 Bracket, Dump Valve	1	H	106128-001 Lever, Brake RH	1
25	8761-013 Seal, O-ring	1	I	106128-002 Lever, Brake LH	1
26	103757-225 Screw 5/16 Hex Flange	8	J	106144-XXX Shim	A/R
27	106129 Gasket, Axle Housing	1	K	16188-4 Nut, Hex, Lock	1
28	104551 15T Motor Rotor/Ball (S/A)	1	L	106390 Stop	1
29	110185 Pad, Friction	1	55	25090-014 Plug/O-ring (S/A)	1
29a	110186 Spacer	1		8785-014 O-ring	1
30	106414 Plate, Reaction	1			
31	106104 Plate, Backup	1	101	104167 Squar Key (Straight Shaft)	1
32	104338 15T Sun Gear, First	1			
33	106027 Gear, Ring 57T	2			
34	106167 21T Planet Gear (S/A) First	3			
35	106174 15T Primary Carrier (S/A)	1			
36	104812 15T Sun Gear, Second	1			
	104984 15T Sun Gear, 2 nd (Steel)	1			
37	106169 21T Plnt Gear (S/A) Second	3			
	106204 21T Plnt Gear(S/A)2 nd Steel	3			

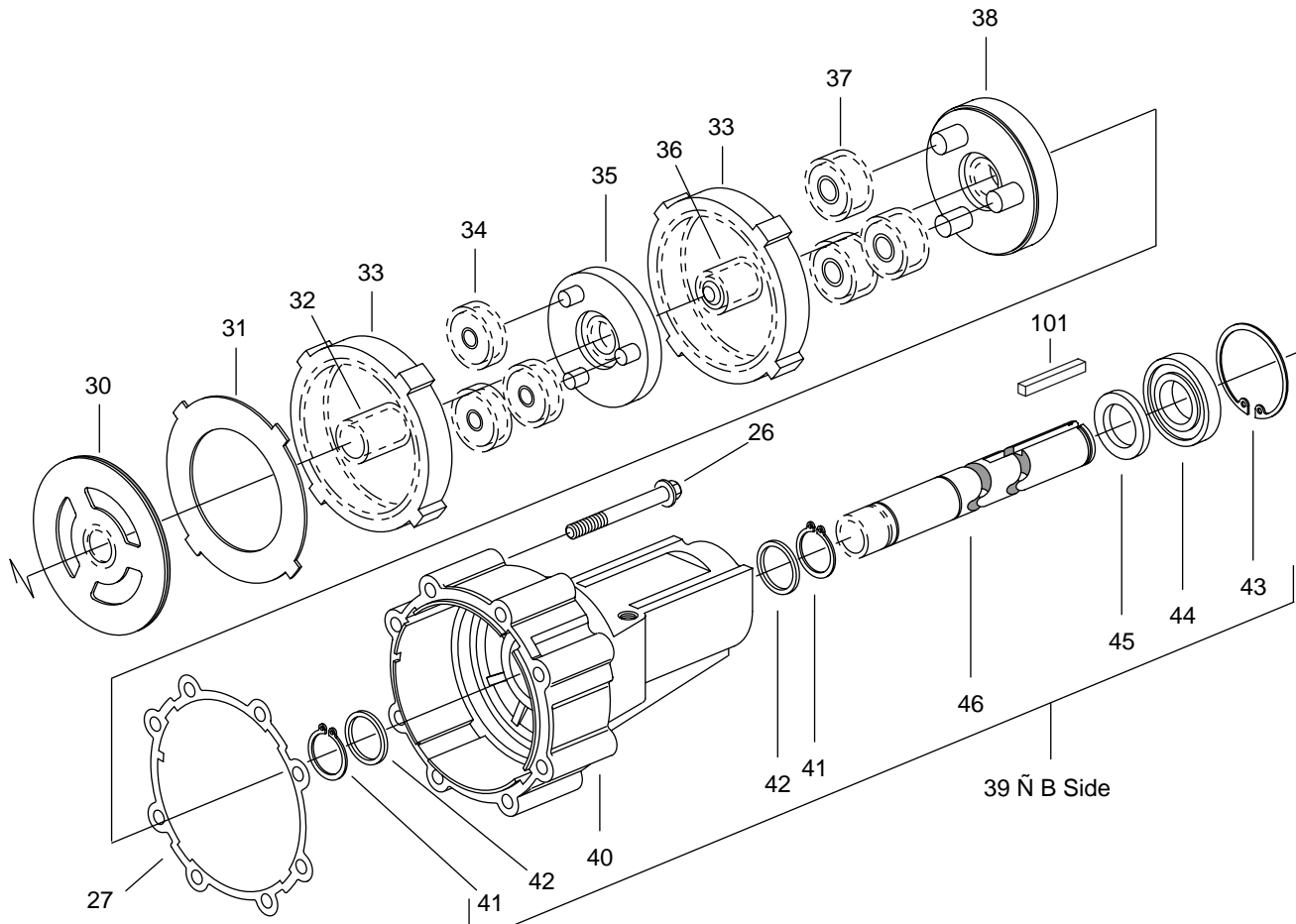
*Piston, Dampening (S/A) - Wide Band Neutral Ñ Not Shown (has orifice hole through center).

A/R - as Required (S/A) - Sub Assembly

**Magnet (S/A) - Not Shown (Removal Not Recommended)

*** See Chart on Page 6 Ñ Housing (S/A)

Series 771 Ñ B Side



Ref. No.	Description	Qty.
1	104436-100 Screw, 1/4-20 Self Tap	13
2	106071 Cover (S/A)	1
3	101680-156 Ring, Retaining, Internal	1
4	106073 Shaft, Input (S/A)	1
5	93955 Seal, Input Shaft	1
6	93895 Seal, Control Shaft	1
7	106070 Cover	1
8	105327 Gasket, Cover	1
9	101597 Button	2
10	104107 Drive	1
11	105228 Pump Rotor/Ball (S/A)	1
	104415 Pump Rotor/Ball/Pin (S/A)	1
12	105813 Cam Ring (S/A)	1
13	103621 Insert	1
14	103611 Control Shaft, External Thrd.	1
14a	104935 Control Shaft, Internal Thrd.	1
15	*** Housing (S/A)	1
16	103757-088 Screw, 1/4-20 Hex Flange	5
17	106201 Cover, Valve	1
17a	106385 Port Plate (Horiz. Mount)	1
18	106202 Filter (Internal)	1
19	106200 Gasket, V Cover/ P Plate	1
20	106008 Plug/Seal (S/A) No Dump V	1
	8785-010 Seal, O-ring	1
20a	Dump Valve Parts	1
21	104664 Nut, Dump Valve Fitting	1
22	8785-010 Seal, O-ring	1
23	104684 Spring, Dump Valve	1
24	105660 Bracket, Dump Valve	1
25	8761-013 Seal, O-ring	1
26	103757-225 Screw 5/16 Hex Flange	8
27	106129 Gasket, Axle Housing	1
28	104551 15T Motor Rotor/Ball (S/A)	1
29	110185 Pad, Friction	1
29a	110186 Spacer	1
30	106414 Plate, Reaction	1
31	106104 Plate, Backup	1
32	104338 15T Sun Gear, First	1
33	106027 Gear, Ring 57T	2
34	106167 21T Planet Gear (S/A) First	3
35	106174 15T Primary Carrier (S/A)	1
36	104812 15T Sun Gear, Second	1
	104984 15T Sun Gear, 2nd (Steel)	1
37	106169 21T Plnt Gear (S/A) Second	3
	106204 21T Plnt Gear(S/A)2nd Steel	3

Ref. No.	Description	Qty.
38	106137 Secondary Carrier (S/A)	1
39	106178-000 Axle Housing (S/A) B-Side	1
	106190** Magnet (S/A)	1
40	106162 Housing, Axle	1
41	103983-098 Ring, Retaining, External	2
42	103966 Thrust Washer	2
43	101680-206 Ring, Retaining, Internal	1
44	104928 Bearing, Ball	1
45	103960 Seal, Radial Lip	1
46	106177-000 Shaft, Axle Ñ B-Side	1
47	106285 .625 Str. Fitting/O-ring (S/A)	A/R
48	106631 .375 Str. Fitting/O-ring (S/A)	A/R
49	105636 .375 90j Fitting/O-ring (S/A)	A/R
50	106008 Plug/O-ring (S/A)	A/R
	8785-010 O-ring for Fittings (47-50)	A/R
51	8771-130 Seal, Square Cut	1
52	101264 Adapter, 7/8-14 O-ring Port	1
53	*** Piston, Dampening	
	104962 Piston (S/A)	2
	105814* Piston (S/A)	2
54	Brake Lever Parts	
A	106450 Quad Seal	1
B	106079 Rod, Push	1
C	106437-000 E-Ring	4
D	106119 Spring Base (S/A)	1
E	106078 Spring, Conical	2
F	106261 Shaft, Brake	1
G	16032-406P Screw, Cap, Hex	1
H	106128-001 Lever, Brake RH	1
I	106128-002 Lever, Brake LH	1
J	106144-XXX Shim	A/R
K	16188-4 Nut, Hex, Lock	1
L	106390 Stop	1
55	25090-014 Plug/O-ring (S/A)	1
	8785-014 O-ring	1
101	104167 Squar Key (Straight Shaft)	1

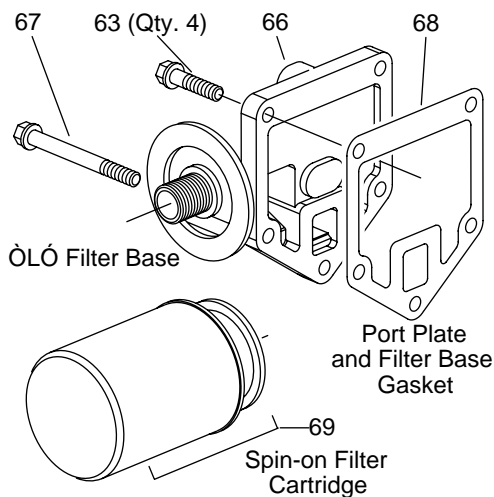
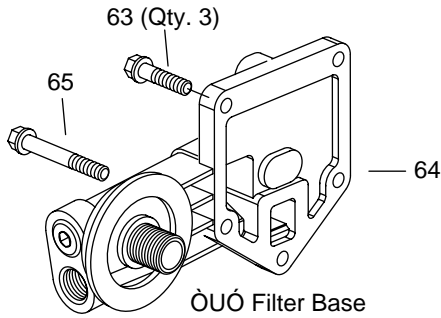
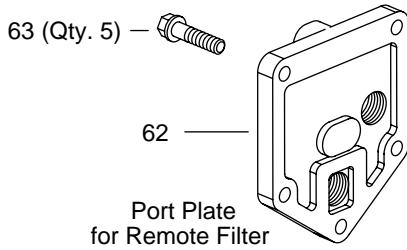
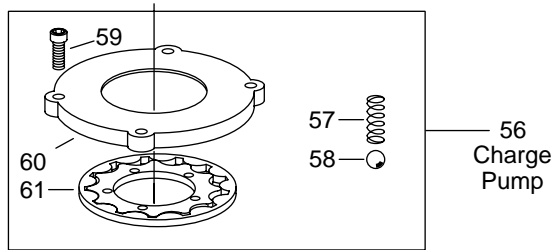
*Piston, Dampening (S/A) - Wide Band Neutral Ñ Not Shown (has orifice hole through center).

A/R - as Required (S/A) - Sub Assembly

**Magnet (S/A) - Not Shown (Removal Not Recommended)

*** See Chart on Page 6 Ñ Housing (S/A)

Series 771 Ñ B Side



Ref. No.	Part Number	Description	Qty.
56	***	Charge Pump	1
57	104421	Spring	1
58	95881-038	Ball	1
59	101676-088	Screw, Cap, Socket	4
60	104467	Plate, Pump (Class II)	1
61	104466	Gerotor (Class II)	1
60 and 61	104701	Plate, Pump and Gerotor (High Pressure)	1
62	104531	Plate, Port	1
63	103757-088	Screw, 1/4-20 Hex Flange	A/R
64	104382	Filter Base ÒÚÓ	1
	104384	Filter Base ÒÚÓ w/Ports (2)	1
65	103757-250	Screw, 1/4 20 Hex Flange	2
66	104386	Filter Base ÒÌÓ	1
67	103757-375	Screw, 1/4-20 Hex Flange	1
68	104392	Gasket	1
69	103144	Filter	1

*** See Chat Below Ñ Housing (S/A)

Reference Number 15 Housing (other parts included in S/A Ñ Ref. No. 55)							
		No Wide Band Neutral (53)			Wide Band Neutral (53)		
		No Charge Pump	Charge Pump* (56)	High Press. Charge Pump	No Charge Pump	Charge Pump* (56)	High Press. Charge Pump
CW	Standard	106972	Ñ	Ñ	106731	Ñ	Ñ
	Special	Ñ	106460	Ñ	Ñ	Ñ	Ñ
CCW	Standard	Ñ	Ñ	Ñ	Ñ	Ñ	Ñ
	Special	106586	106228	Ñ	Ñ	Ñ	Ñ

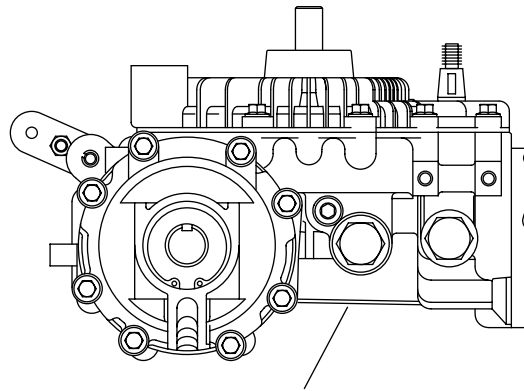
* Class II

Series 771 Ñ B Side

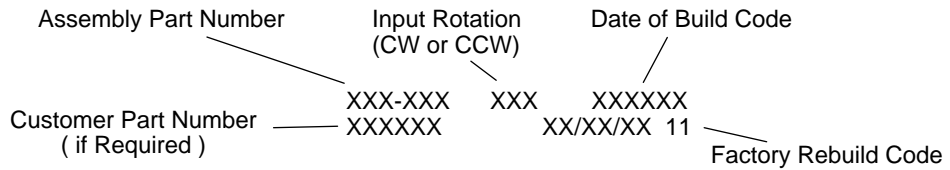
HOW TO ORDER REPLACEMENT PARTS

EACH ORDER MUST INCLUDE THE FOLLOWING:

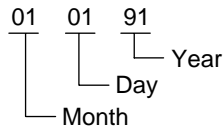
- 1. Product Number
- 2. Date Code
- 3. Part Name
- 4. Part Number
- 5. Quantity of Parts



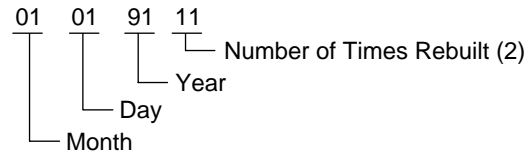
Part Number, Date of Assembly, and Input Rotation Stamped on this Surface



Original Build (example - 010191)



Factory Rebuild (example - 01/01/91 11)



Series 771 Ñ B Side

Eaton Corporation
Hydraulics Division
15151 Hwy. 5
Eden Prairie, MN 55344
Telephone: 612/937-7254
Fax: 612/937-7130

Eaton Ltd.
Hydraulics Division
Glenrothes, Fife
Scotland, KY7 4NW
Telephone: [+44] (0)1592-771-771
Fax: [+44] (0)1592-773-184

Eaton B.V.
Boeing Avenue 11
1119 PC Schiphol-Rijk
The Netherlands
Telephone: [+31] (0)20-655 6776
Fax: [+31] (0)20-655 6800

Sumitomo Eaton Hydraulic Co.
8 Temasek Blvd.
42-01 Suntec Tower Three
Singapore 03988
Telephone: [+65] 832-7727
Fax: [+65] 832-7733

Sumitomo Eaton
Hydraulic Company Ltd.
Ooi-Cho Kameoka-Shi
621-0017 Kyoto
Japan
Telephone: [+81] 771-22-9601
Fax: [+81] 771-29-2020

Eaton Ltd.
7th Floor, Woo Duk Building
832-2 Yeoksam-Dong, Kangnam-KB
Soeul 135-750
Korea
Telephone: [+82] 2-557-0595
Fax: [+82] 2-557-1634

Eaton Hydraulics (Shanghai) Co. Ltd.
388 Aidu Road, Waigaogiao FTZ
Shanghai 200137
Peoples Republic of China
Telephone: [+86] 21-5046 0758
Fax: [+86] 21-5046 0767

Jining Eaton Hydraulic Co. Ltd.
6 Ji Da Road
Jining City
Shandong Province 272131
Peoples Republic of China
Telephone: [+86] 537-2221288
Fax: [+86] 537-2221557



Quality System Certified
Products in this catalog are manufactured
in an ISO-9001-certified site.