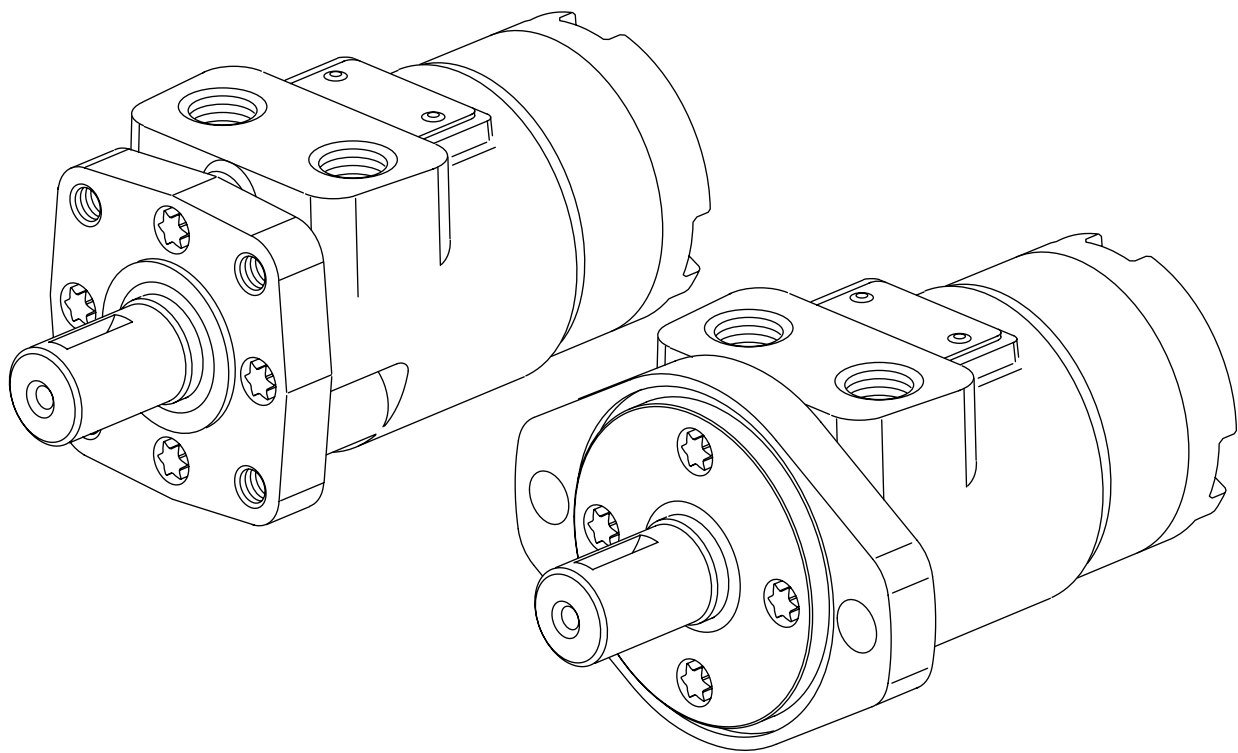




Parts Information



General Purpose
A Series Motors

001 002 003

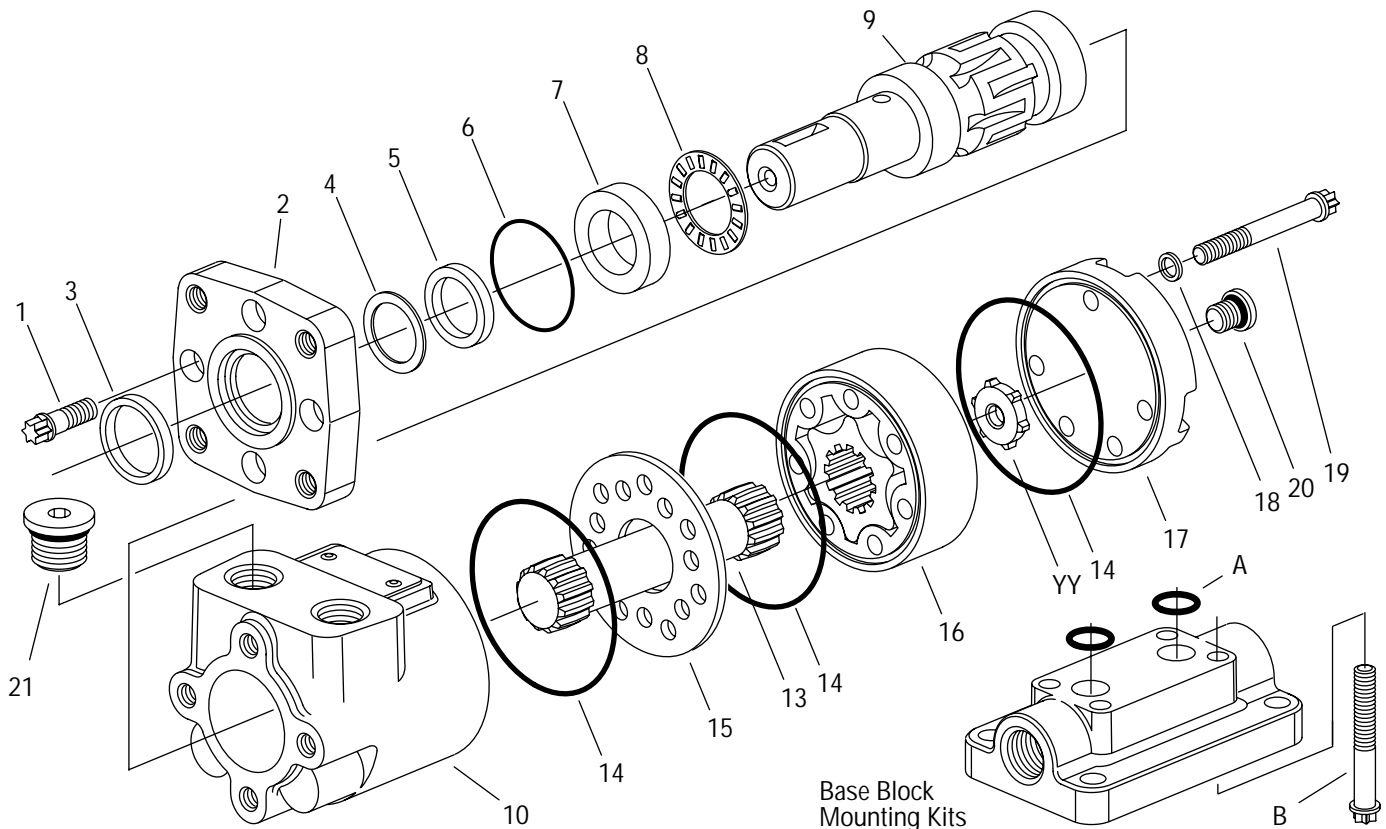
A Series Motors

-001/-002 Design Code

| Displ. cm ³ /r [in ³ /r] | Ref. No. 13 | | Ref. No. 16 | | Ref. No. YY | | Ref. No. 19 | |
|------------------------------------------------------|-------------|-----------------|-------------|----------------|-------------|----------------|-------------|-----------------|
| | Drive | Length mm [in.] | Gerotor | Width mm [in.] | Spacer | Width mm [in.] | Screw, Cap | Length mm [in.] |
| 46 [2.8] | 602-000 | 76,2 [3.00] | 8277-001 | 6,5 [.25] | N/A | | 16294-150 | 38,1 [1.50] |
| 69 [4.2] | 602-000 | 76,2 [3.00] | 8277-002 | 9,7 [.38] | N/A | | 16294-162 | 41,4 [1.62] |
| 95 [5.9] | 616-000 | 81,8 [3.22] | 8277-003 | 13,2 [.52] | N/A | | 16294-200 | 44,5 [1.75] |
| 160 [9.7] | 616-000 | 81,8 [3.22] | 8277-004 | 21,9 [.86] | 6901-002 | 7,9 [.31] | 16294-212 | 54,1 [2.12] |

-003 Design Code

| Displ. cm ³ /r [in ³ /r] | Ref. No. 13 | | Ref. No. 16 | | Ref. No. YY | | Ref. No. 19 | |
|------------------------------------------------------|-------------|-----------------|-------------|----------------|-------------|--|-------------|-----------------|
| | Drive | Length mm [in.] | Gerotor | Width mm [in.] | Spacer | | Screw, Cap | Length mm [in.] |
| 37 [2.2] | 602-000 | 76,2 [3.00] | 21850-022 | 6,4 [.25] | N/A | | 16294-150 | 38,1 [1.50] |
| 46 [2.8] | 602-000 | 76,2 [3.00] | 8277-001 | 6,4 [.25] | N/A | | 16294-150 | 38,1 [1.50] |
| 59 [3.6] | 22250-000 | 80,8 [3.15] | 21850-023 | 10,2 [.40] | N/A | | 16294-162 | 44,4 [1.62] |
| 74 [4.5] | 22250-000 | 80,8 [3.15] | 8277-024 | 10,2 [.40] | N/A | | 16294-162 | 41,4 [1.62] |
| 96 [5.9] | 616-000 | 81,8 [3.22] | 8277-003 | 13,2 [.52] | N/A | | 16294-175 | 44,5 [1.75] |
| 120 [7.3] | 22251-000 | 86,2 [3.40] | 8277-009 | 16,5 [.65] | N/A | | 16294-188 | 47,8 [1.88] |
| 146 [8.9] | 22252-000 | 89,9 [3.54] | 8277-020 | 20,1 [.79] | N/A | | 16294-200 | 50,8 [2.00] |
| 160 [9.7] | 8664-000 | 91,7 [3.61] | 8277-004 | 21,8 [.86] | N/A | | 16294-212 | 54,1 [2.12] |
| 185 [11.3] | 22189-000 | 95,8 [3.77] | 8277-005 | 25,4 [1.00] | N/A | | 16294-225 | 57,1 [2.25] |
| 231 [14.1] | 22190-000 | 102,1 [4.02] | 8277-025 | 31,7 [1.25] | N/A | | 16294-250 | 63,5 [2.50] |
| 293 [17.9] | 22253-000 | 110,5 [4.35] | 8277-026 | 40,4 [1.59] | N/A | | 16294-288 | 73,2 [2.88] |



| Ref. No. | Design Code/Part Number | | | Description | Quantity |
|--------------|-------------------------|-------------|-------------|--------------------------------------------------------------------------------------|----------|
| | -001 | -002 | -003 | | |
| 1 | 16292-088 | 16292-088 | 16292-088 | Screw, Cap (6 Point (E10) Drive 5/16-24 UNF x 7/8) | 4 |
| 2 | 7463-000 | 22000-001 | 22000-001 | Flange Mounting (2 Bolt) | 1 |
| | 7464-000 | 22000-002 | 22000-002 | Flange Mounting (4 Bolt) 3/8-16 UNC | 1 |
| | — | 22000-006 | 22000-006 | Flange Mounting (4 Bolt) M10 x 1,5 | 1 |
| X 3 | 9121-002 | 9121-002 | 9121-002 | Seal, Exclusion | 1 |
| X 4 | N/A | 22002-000 | 22002-000 | Washer, Backup | 1 |
| X 5 | 9057-001 | 9057-014 | 9057-014 | Seal, Pressure | 1 |
| X 6 | 9091-001 | 9091-001 | 9091-001 | Seal | 1 |
| 7 | 7462-000 | 7462-000 | 7462-000 | Race, Thrust Bearing | 1 |
| 8 | 7537-000 | 7537-000 | 7537-000 | Bearing, Thrust Needle | 1 |
| 9 | 7360-001 | 7360-001 | 7360-001 | Shaft, Output (1 in. Dia. Straight with Woodruff Key Slot) | 1 |
| | 7360-002 | 7360-002 | 7360-002 | Shaft, Output (SAE 6B Splined) | 1 |
| | 7360-007 | 7360-007 | 7360-007 | Shaft, Output (1 in. Dia. Straight with .315 Dia. Crosshole) | 1 |
| | 7360-008 | 7360-008 | 7360-008 | Shaft, Output (1 in. Dia. Straight with .406 Dia. Crosshole) | 1 |
| | 7360-016 | 7360-016 | 7360-016 | Shaft, Output (7/8 in. Dia. SAE B 13 T Splined) | 1 |
| | 7360-018 | 7360-018 | 7360-018 | Shaft, Output (1 in. Dia. Tapered) | 1 |
| | 14193-000 | 14193-000 | 14193-000 | Key, Woodruff (1 in. Dia. Straight Shaft) | 1 |
| | 14193-000 | 14193-000 | 14193-000 | Key, Woodruff (for Tapered Shaft) | 1 |
| | 14381-000 | 14381-000 | 14381-000 | Nut (for Tapered Shaft) | 1 |
| 10 | 21776-001 | 21776-001 | 21776-001 | Housing, 7/8-14 O-ring Ports | 1 |
| | 21776-002 | 21776-002 | 21776-002 | Housing, 1/2 NPTF Ports | 1 |
| | 21776-003 | 21776-003 | 21776-003 | Housing, Manifold Ports (5/16-18 UNC) | 1 |
| 13 | * | * | * | Drive | 1 |
| X 14 | 9086-002 | 9086-002 | 9086-002 | Seal | 3 |
| 15 | 7358-000 | 7358-000 | 7358-000 | Plate, Spacer | 1 |
| 16 | * | * | * | Gerotor | 1 |
| 17 | 21775-001 | 21775-001 | 21775-001 | Cap, End (No Port) | 1 |
| | 21775-002 | 21775-002 | 21775-002 | Cap, End (with Drain Port 7/16-20 O-ring) | 1 |
| | 21387-001 | 21387-001 | 21387-001 | Cap, End Ports (3/4-16 O-ring) | 1 |
| | 21387-002 | 21387-002 | 21387-002 | Cap, End Ports (3/4-16 O-ring) and (Drain Port 7/16-20 O-ring) | 1 |
| 18 | 14488-000** | 14488-000** | 14488-000** | Seal, Washer | 5 |
| 19 | * | * | * | Screw, Cap (6 Point (E10) Drive 5/16-24 UNF) | 5 |
| 20 | 9072-003 | 9072-003 | 9072-003 | Plug/ O-ring (7/16-20 Drain Port) | 1 |
| X | 250003-904 | 250003-904 | 250003-904 | O-ring for 7/16-20 Drain Port Plug | 1 |
| 21 | 9072-007 | 9072-007 | 9072-007 | Plug/ O-ring, Housing (7/8-14 Plug S/A used w/End Ported Motors) | 1 |
| | 250003-910 | 250003-910 | 250003-910 | O-ring for 7/8-14 Housing Port Plug | 1 |
| | 9179-007 | 9179-007 | 9179-007 | Plug/ O-ring (Viton), Housing (7/8-14 Plug S/A used w/End Ported Motors) | 1 |
| | 250017-910 | 250017-910 | 250017-910 | O-ring (Viton) for 7/8-14 Housing Port Plug | 1 |
| YY | * | * | N/A | Spacer | 1 |
| | 60023-000 | 60540-000 | 60540-000 | Seal Kit (Buna N) — Contains Parts Indicated by X | |
| | 60032-000 | 60545-000 | 60545-000 | Seal Kit (Viton) — Contains Parts Indicated by X (part No.s differ from those shown) | |
| Mounting Kit | — | — | 123-1007 | Base Block Mounting Kit (1/2 NPTF Ports (Manifold Mount Motors Only)) | |
| | — | — | 123-1008 | Base Block Mounting Kit (7/8-14 O-ring Ports (Manifold Mount Motors Only)) | |
| X A | — | — | 15058-000 | Seal, O-ring (2) | |
| B | — | — | 267512-019 | Screw, Cap (5/16-18 Thread (4)) | |

* See Chart on Page 2 N/A— Not Applicable

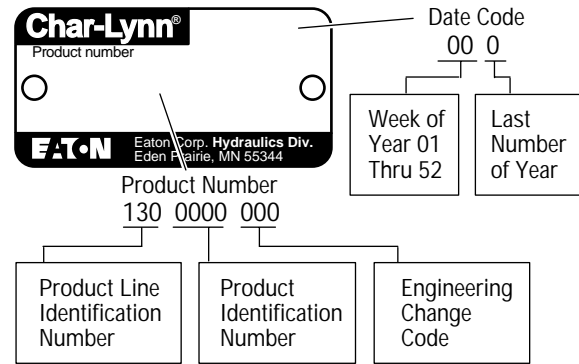
** Used with 12 Pt. Cap Screws Only (Replacement Screws are 6 Point (E10) Drive, no Seal Washer Required).

A Series Motors

How to Order Replacement Parts

Each Order Must Include the Following:

1. Product Number
2. Date Code
3. Part Name
4. Part Number
5. Quantity of Parts



Add three digit prefix —130—to four digit number from chart for complete Product number—Example 130-1144.

Product Numbers—A Series

| Mounting | Shaft | Ports | Displ. cm ³ /r [in ³ /r] Product Number 130-xxxx | | | | | | | | | | |
|----------------------|--------------------------------------|------------------|------------------------------------------------------------------------|--------------|--------------|--------------|--------------|---------------|---------------|---------------|---------------|---------------|---------------|
| | | | 36 [2.2] | 46 [2.8] | 59 [3.6] | 74 [4.5] | 97 [5.9] | 120 [7.3] | 146 [8.9] | 159 [9.7] | 185 [11.3] | 231 [14.1] | 293 [17.9] |
| 2 Bolt Flange | 1 in. Straight w/Woodruff Key | 7/8-14 O-ring | 130-1144 | -1013 | -1145 | -1014 | -1015 | -1146 | -1147 | -1016 | -1089 | -1148 | -1149 |
| | | 1/2 NPTF | 130-1150 | -1009 | -1155 | -1010 | -1011 | -1152 | -1153 | -1012 | -1084 | -1154 | -1155 |
| | | 3/4-16 End Ports | 130-1156 | -1045 | -1157 | -1046 | -1047 | -1158 | -1159 | -1048 | -1160 | -1161 | -1162 |
| | 1 in. Straight w/ .31 Dia. Crosshole | 7/8-14 O-ring | 130-1123 | -1069 | -1124 | -1070 | -1071 | -1125 | -1126 | -1072 | -1127 | -1128 | -1129 |
| | | 1/2 NPTF | 130-1130 | -1065 | -1131 | -1066 | -1067 | -1132 | -1133 | -1068 | -1134 | -1135 | -1136 |
| | | 3/4-16 End Ports | 130-1137 | -1053 | -1138 | -1054 | -1055 | -1139 | -1140 | -1056 | -1141 | -1142 | -1143 |
| 1 in. SAE 6B Splined | 7/8-14 O-ring | 130-1163 | -1029 | -1164 | -1030 | -1031 | -1165 | -1166 | -1032 | -1167 | -1168 | -1169 | |
| | 1/2 NPTF | 130-1170 | -1025 | -1171 | -1026 | -1027 | -1172 | -1173 | -1028 | -1174 | -1175 | -1176 | |
| | 3/4-16 End Ports | 130-1177 | -1049 | -1178 | -1050 | -1051 | -1179 | -1180 | -1052 | -1181 | -1182 | -1183 | |
| 4 Bolt Flange | 1 in. Straight w/Woodruff Key | 7/8-14 O-ring | 130-1205 | -1005 | -1206 | -1006 | -1007 | -1207 | -1208 | -1008 | -1209 | -1210 | -1211 |
| | | 1/2 NPTF | 130-1212 | -1001 | -1213 | -1002 | -1003 | -1214 | -1215 | -1004 | -1216 | -1217 | -1218 |
| | | 3/4-16 End Ports | 130-1219 | -1033 | -1220 | -1034 | -1035 | -1221 | -1222 | -1036 | -1223 | -1224 | -1225 |
| | 1 in. Straight w/ .31 Dia. Crosshole | 7/8-14 O-ring | 130-1184 | -1061 | -1185 | -1062 | -1063 | -1186 | -1187 | -1064 | -1188 | -1189 | -1190 |
| | | 1/2 NPTF | 130-1191 | -1057 | -1192 | -1058 | -1059 | -1193 | -1194 | -1060 | -1195 | -1196 | -1197 |
| | | 3/4-16 End Ports | 130-1198 | -1041 | -1199 | -1042 | -1043 | -1200 | -1201 | -1044 | -1202 | -1203 | -1204 |
| 1 in. SAE 6B Splined | 7/8-14 O-ring | 130-1226 | -1021 | -1227 | -1022 | -1023 | -1228 | -1229 | -1024 | -1230 | -1231 | -1232 | |
| | 1/2 NPTF | 130-1223 | -1017 | -1234 | -1018 | -1019 | -1235 | -1236 | -1020 | -1237 | -1238 | -1239 | |
| | 3/4-16 End Ports | 130-1240 | -1037 | -1241 | -1038 | -1039 | -1242 | -1243 | -1040 | -1244 | -1245 | -1246 | |

130-1243

Eaton Corporation
Hydraulics Division
15151 Hwy. 5
Eden Prairie, MN 55344
Telephone: 612/937-7254
Fax: 612/937-7130

Eaton Ltd.
Hydraulics Division
Glenrothes, Fife
Scotland, KY7 4NW
Telephone: [+44] (0)1592-771-771
Fax: [+44] (0)1592-773-184

Eaton B.V.
Boeing Avenue 11
1119 PC Schiphol-Rijk
The Netherlands
Telephone: [+31] (0)20-655 6700
Fax: [+31] (0)20-655 6800

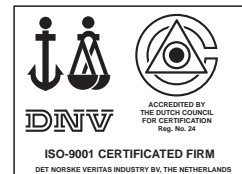
Sumitomo Eaton Hydraulic Co.
8 Temasek Blvd.
42-01 Suntec Tower Three
Singapore 03988
Telephone: [+65] 832-7727
Fax: [+65] 832-7733

Sumitomo Eaton
Hydraulic Company Ltd.
Ooi-Cho Kameoka-Shi
621-0017 Kyoto
Japan
Telephone: [+81] 771-22-9601
Fax: [+81] 771-29-2020

Eaton Ltd.
7th Floor, Woo Duk Building
832-2 Yeoksam-Dong, Kangnam-Ku
Seoul 135-750
Korea
Telephone: [+82] 2-557-0595
Fax: [+82] 2-557-1634

Eaton Hydraulics (Shanghai) Co. Ltd.
388 Aidu Road, Waigaogiao FTZ
Pudong New Area
Shanghai 200137
Peoples Republic of China
Telephone: [+86] 21-5046 0758
Fax: [+86] 21-5046 0767

Jining Eaton Hydraulic Co. Ltd.
6 Ji Da Road
Jining City
Shandong Province 272131
Peoples Republic of China
Telephone: [+86] 537-2221288
Fax: [+86] 537-2221557



Quality System Certified
Products in this catalog are manufactured
in an ISO-9001-certified site.

